

PLANIT DESIGN COMPONENT MANUAL



PLANIT COMPONENT MANUAL



PRODUCT
CATALOGUE



ULLRICH ALUMINIUM



Designs can be easily assembled and dismantled with the use of an allen key, or this can be done for you whether you require standard units or units designed to your specifications.

The Planit system has a diverse range of options for the retail store, through to home furnishings items such as showcases, shelving, coffee tables, TV cabinets and showroom displays.

Ullrich Aluminium is Australia's premier supplier to the building industry and your partner for specialist extrusion solutions.

Customer Service and support

The Ullrich Aluminium family owned business objective is to work closely with our partners to provide added value to their business. It's this dedication to service and support that sets us apart. We pride ourselves in our attitude to service and strive to ensure that dealing with Ullrich Aluminium results in a pleasant purchasing experience.

Over 55 Years Experience

For over 55 years Ullrich Aluminium has been the leader in supply and fabrication of aluminium products. The staff at Ullrich Aluminium are amongst the most respected in our industry for knowledge, customer service and attitude. Ullrich Aluminium will continue in leading the supply and fabrication of aluminium in Australia and New Zealand.



Where do you want to go >

Main Frame & Horizontal Aluminium Profiles

Supplementary Aluminium Profiles

Cast Connectors Square

Aluminium End Caps

Plastic End Caps

PVC Extrusion

Plastic Accessories

Hardware Accessories

Fixtures and Accessories

Glass Top Specifications

Glass Side Panel Specifications

Base Shelf Specifications

Glass Shelf Specifications

Glass Top - No Front Extrusion with Wedge Top

Glass Top - No Front Extrusion with Flush Top

Glass Shelf Specifications

Glass Sliding Door Specifications

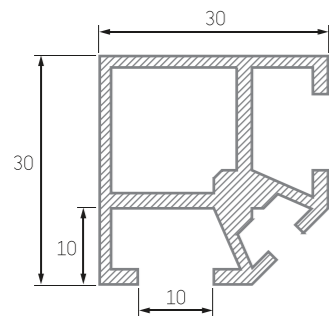
Glass Hinged Door Specifications

Beam Lock Specifications

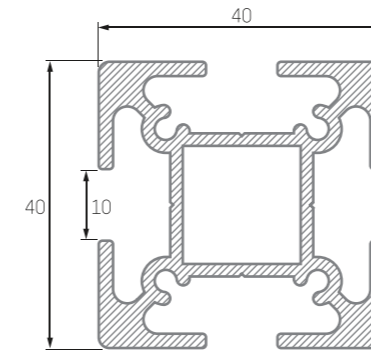
Cast Connector Specifications

more information

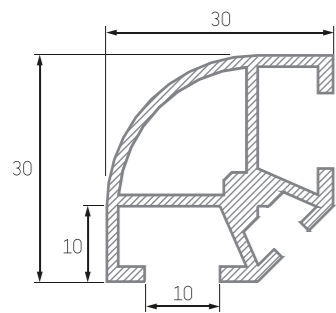
View more of our extensive range on our website
www.ullrich.com.au



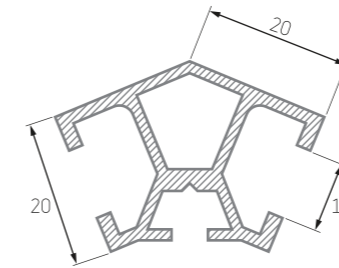
CODE: OA-1
DESCRIPTION: 30 x 30 Two Track Square
LENGTH: 5.0m
WEIGHT: 0.68Kg/m



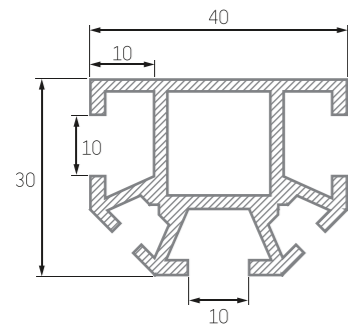
CODE: OA-6
DESCRIPTION: 40 x 40 Four Track
LENGTH: 5.0m
WEIGHT: 1.38Kg/m



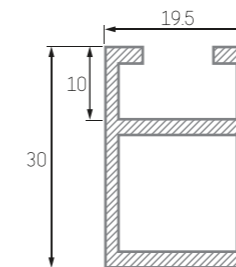
CODE: OA-3
DESCRIPTION: 30 x 30 Two Track Radius
LENGTH: 5.0m
WEIGHT: 0.62Kg/m



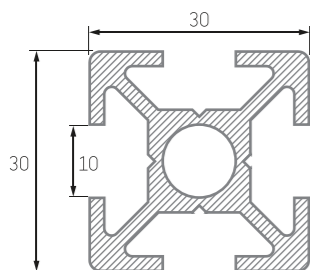
CODE: OA-7
DESCRIPTION: 135° Two Track
LENGTH: 5.0m
WEIGHT: 0.53Kg/m



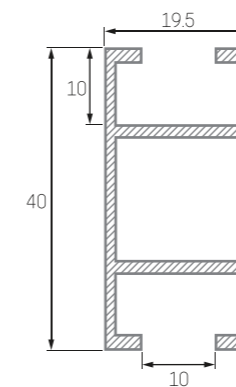
CODE: OA-4
DESCRIPTION: 30 x 40 Three Track
LENGTH: 5.0m
WEIGHT: 0.80Kg/m



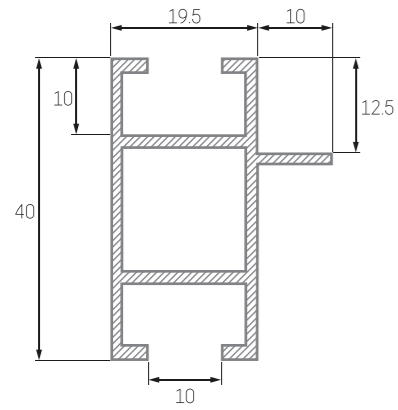
CODE: OA-21
DESCRIPTION: 20 x 30 Single Track no Lip
LENGTH: 5.0m
WEIGHT: 0.45Kg/m



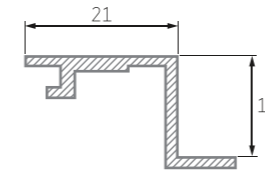
CODE: OA-5
DESCRIPTION: 30 x 30 Four Track
LENGTH: 5.0m
WEIGHT: 0.91Kg/m



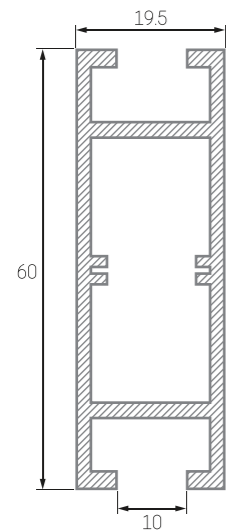
CODE: OA-24
DESCRIPTION: 20 x 40 Two Track no Lip
LENGTH: 5.0m
WEIGHT: 0.58Kg/m



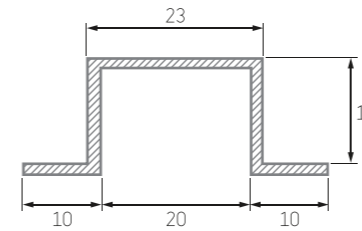
CODE: OA-25
DESCRIPTION: 20 x 40 Two Track Single Lip
LENGTH: 5.0m
WEIGHT: 0.62Kg/m



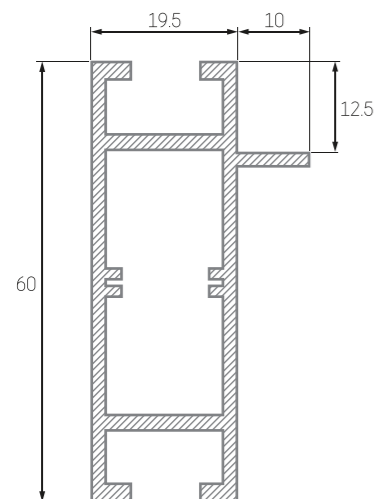
CODE: OA-50
DESCRIPTION: Top Cap Single Lip
LENGTH: 4.0m
WEIGHT: 0.22Kg/m



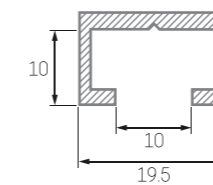
CODE: OA-26
DESCRIPTION: 20 x 60 Two Track no Lip
LENGTH: 5.0m
WEIGHT: 0.74Kg/m



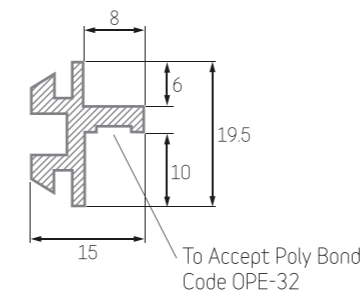
CODE: OA-51
DESCRIPTION: Top Cap Double Lip
LENGTH: 4.0m
WEIGHT: 0.28Kg/m



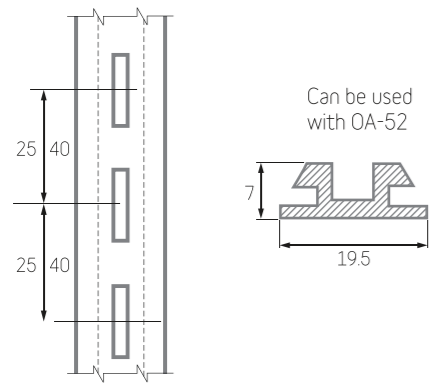
CODE: OA-27
DESCRIPTION: 20 x 60 Two Track Single Lip
LENGTH: 5.0m
WEIGHT: 0.78Kg/m



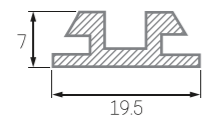
CODE: OA-52
DESCRIPTION: Single Track Wall Channel
LENGTH: 4.0m
WEIGHT: 0.22Kg/m



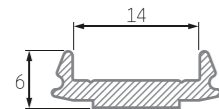
CODE: OA-54
DESCRIPTION: Flush Top - Door Stop
LENGTH: 4.0m
WEIGHT: 0.24Kg/m



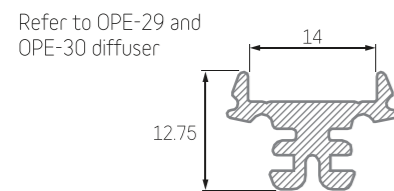
CODE: OA-55 / 25 CRS
CODE: OA-55 / 40 CRS
DESCRIPTION: Slotted Stripping
LENGTH: 4.0m
WEIGHT: 0.19Kg/m



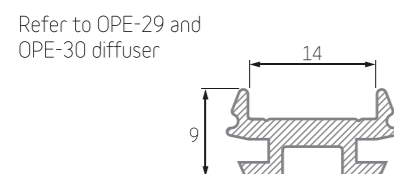
CODE: OA-56
DESCRIPTION: Track Filler
LENGTH: 4.0m
WEIGHT: 0.19Kg/m



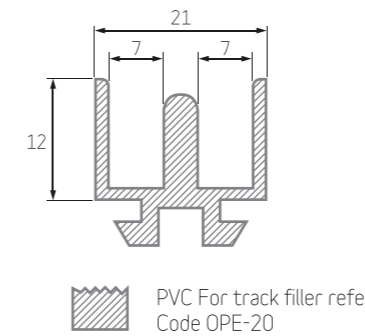
CODE: OA-57
DESCRIPTION: Light Profile - For LED Strip Lighting
 Fitting to MDF without mounting clips
LENGTH: 4.0m
WEIGHT: 0.14Kg/m



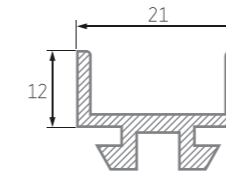
CODE: OA-58
DESCRIPTION: Light Profile - For LED Strip Lighting
 Fitting to OA-1, OA-3, OA-4
LENGTH: 4.0m
WEIGHT: 0.23Kg/m



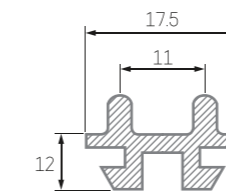
CODE: OA-59
DESCRIPTION: Light Profile - For LED Strip Lighting
 Fitting MDF with mounting clips OF-9
LENGTH: 4.0m
WEIGHT: 0.19Kg/m



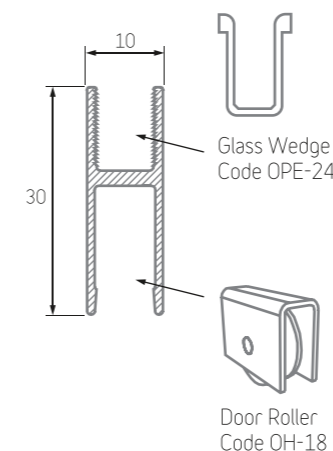
CODE: OA-60
DESCRIPTION: Door Track
LENGTH: 4.0m
WEIGHT: 0.38Kg/m



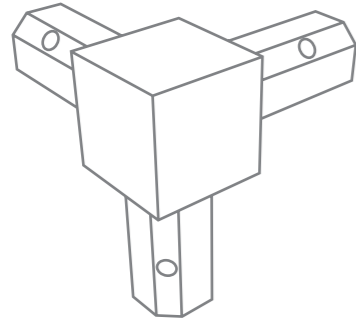
CODE: OA-61
DESCRIPTION: Vertical Door Track or either use as
 18mm MDF Panel Holder
LENGTH: 4.0m
WEIGHT: 0.28Kg/m



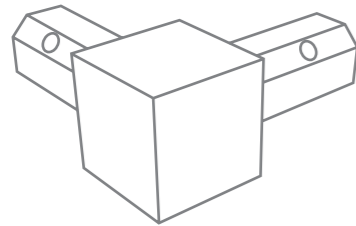
CODE: OA-62
DESCRIPTION: Bottom Roller Track
LENGTH: 4.0m
WEIGHT: 0.26Kg/m



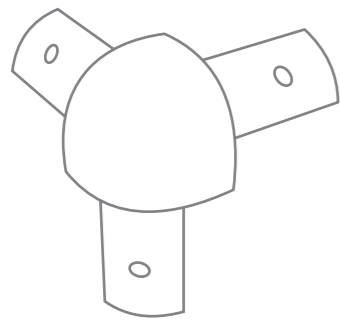
CODE: OA-63
DESCRIPTION: Glass Rail
LENGTH: 4.0m
WEIGHT: 0.25Kg/m



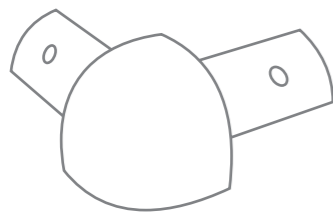
CODE: OC-1
DESCRIPTION: 3 Leg 90° Connector for Square OA-1
WEIGHT: 0.23Kg/m



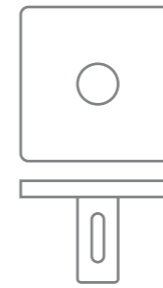
CODE: OC-2
DESCRIPTION: 2 Leg 90° Connector for Square OA-1
WEIGHT: 0.22Kg/m



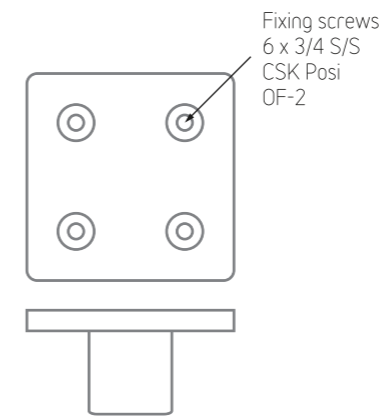
CODE: OC-13
DESCRIPTION: 3 Leg 90° Connector for Radius OA-3
WEIGHT: 0.19Kg/m



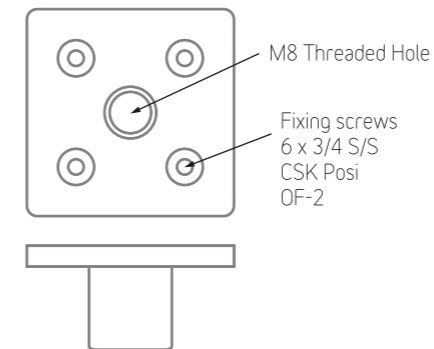
CODE: OC-14
DESCRIPTION: 2 Leg 90° Connector for Radius OA-3
WEIGHT: 0.16Kg/m



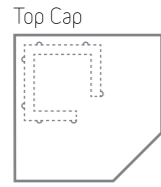
CODE: OAC-5 (Top Cap)
DESCRIPTION: Aluminium End Cap to fit OA-5
 30 x 30
COLOUR: Satin Chrome
WEIGHT: 0.05Kg/m



CODE: OAC-6 (Top Cap)
DESCRIPTION: Aluminium End Cap to fit OA-6
 40 x 40
COLOUR: Satin Chrome
WEIGHT: 0.028Kg/m



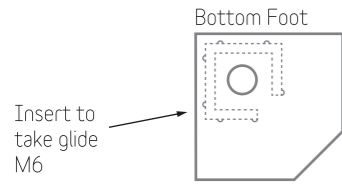
CODE: OAC-6BF (Bottom Cap)
DESCRIPTION: Aluminium End Cap to take M8 Glide or Castor. To fit OA-6
 40 x 40
COLOUR: Satin Chrome
WEIGHT: 0.026Kg/m



CODE: OPC-1 (Top Cap)
DESCRIPTION: Caps for Extrusion OA-1
COLOUR: Black, Grey



CODE: OPC-24 (End Cap)
DESCRIPTION: Caps for Extrusion OA-24
COLOUR: Black, Grey



CODE: OPC-1BF
DESCRIPTION: Bottom foot caps for Extrusion OA-1 to take floor glides
COLOUR: Black, Grey



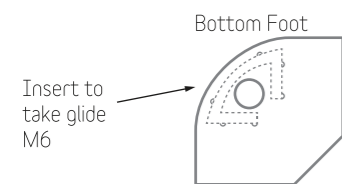
CODE: OPC-27
DESCRIPTION: PVC Cap with M8 metal threaded insert to take castors
COLOUR: Black



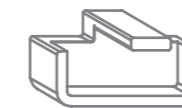
CODE: OPC-3 (Top Cap)
DESCRIPTION: Caps for Extrusion OA-3
COLOUR: Black, Grey



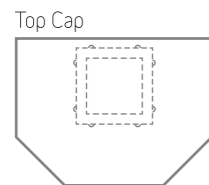
CODE: OPC-28
DESCRIPTION: PVC Cap with M10 metal threaded insert to take castors
COLOUR: Black



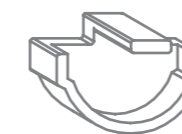
CODE: OPC-3BF
DESCRIPTION: Bottom foot caps for Extrusion OA-3 to take floor glides
COLOUR: Black, Grey



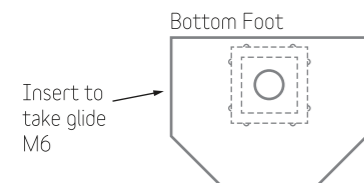
CODE: OPC-29
DESCRIPTION: Square end cap to fit extrusion OA-59 and diffuser OPE-29
LENGTH: 4.0m
COLOUR: White, Black, Grey



CODE: OPC-4 (Top Cap)
DESCRIPTION: Caps for Extrusion OA-4
COLOUR: Black, Grey



CODE: OPC-30
DESCRIPTION: Radius end cap to fit extrusion OA-59 and diffuser OPE-30
LENGTH: 4.0m
COLOUR: White, Black, Grey



CODE: OPC-4BF
DESCRIPTION: Bottom foot caps for Extrusion OA-4 to take floor glides
COLOUR: Black, Grey



CODE: OPC-21 (End Cap)
DESCRIPTION: Cap for Extrusion OA-21
COLOUR: Black, Grey



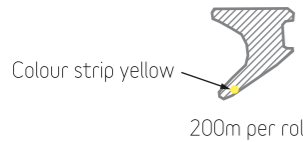
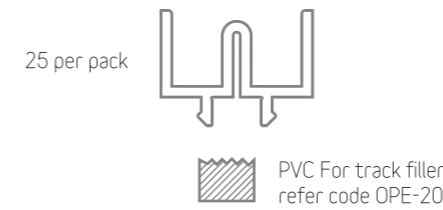
CODE: OPC-63
DESCRIPTION: Cap for Extrusion OA-3
COLOUR: Black, Grey

Can also be used for extrusion OA-26
 2 per end required



50 per pack

CODE: OPE-20
DESCRIPTION: Track filler for Door Tracks OA-60 and OPE-26
LENGTH: 4.0m
COLOUR: Black
WEIGHT: 0.16 / 4m Length



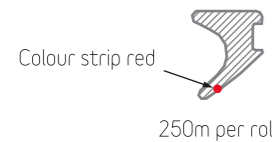
Colour strip yellow
 200m per roll

CODE: OPE-21
DESCRIPTION: 4mm Glass Glazing Wedge
COLOUR: Black
WEIGHT: 11.50Kg/roll



25m per roll
 12 rolls per carton

CODE: OPE-26
DESCRIPTION: Plastic Door Track
LENGTH: 4.0m
COLOUR: Black and Grey
WEIGHT: 0.54Kg/Length



Colour strip red
 250m per roll

CODE: OPE-22
DESCRIPTION: 5mm Glass Glazing Wedge
COLOUR: Black
WEIGHT: 11.30Kg/roll



25m per roll
 12 rolls per carton

CODE: OPE-27
DESCRIPTION: Plastic 10mm Track Filler
COLOUR: Black and Grey
WEIGHT: 19.80Kg/Carton



Colour strip blue
 300m per roll

CODE: OPC-23
DESCRIPTION: 6mm Glass Glazing Wedge
COLOUR: Black
WEIGHT: 11.60Kg/roll



Clips into Extrusion
 OA-58 and OA-59

CODE: OPE-28
DESCRIPTION: Plastic 5mm Track Filler
COLOUR: Black and Grey



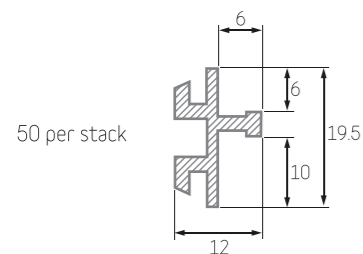
100m per roll

CODE: OPE-24
DESCRIPTION: 6mm Glass Wedge to be used with Aluminium Extrusion OA-63
COLOUR: Clear
WEIGHT: 4.20Kg/roll



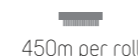
Clips into Extrusion
 OA-58 and OA-59

CODE: OPE-29/Clear OPE-29/Opal
DESCRIPTION: PVC Light Shield Diffuser
LENGTH: 4.0m
COLOUR: Clear and Opal



50 per stack

CODE: OPE-25
DESCRIPTION: Flush Top
LENGTH: 4.0m
COLOUR: Clear
WEIGHT: 0.40Kg / 4m Length



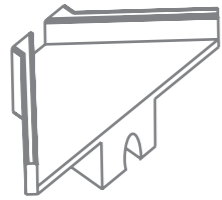
450m per roll

CODE: OPE-30/Clear OPE-30/Opal
DESCRIPTION: PVC Light Shield Diffuser
LENGTH: 4.0m
COLOUR: Clear and Opal

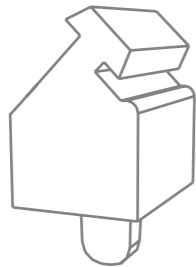
CODE: OPE-32
DESCRIPTION: Polybond to fit door stop extrusion Code OA-54
COLOUR: Black
WEIGHT: 2.60Kg/roll (450m)



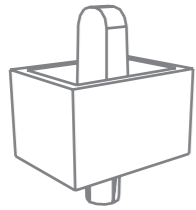
CODE: OPA-30
DESCRIPTION: Glass Shelf Support
COLOUR: Opaque PVC



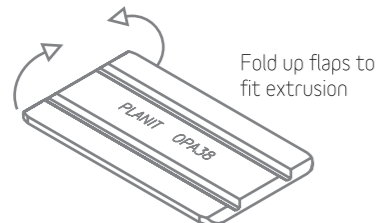
CODE: OPA-32
DESCRIPTION: Glass shelf corner supports fits shelf peg OH-6
COLOUR: Clear Polycarbonate



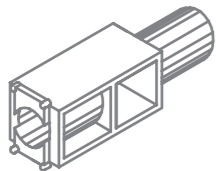
CODE: OPA-36
DESCRIPTION: Shelf Stripping support clip
COLOUR: Black, Grey



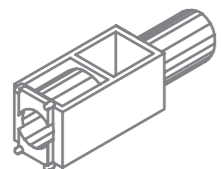
CODE: OPA-37
DESCRIPTION: Shelf Stripping support clip bottom fixing
COLOUR: Black, Grey



CODE: OPA-38
DESCRIPTION: Glass Edge Support
COLOUR: Clear



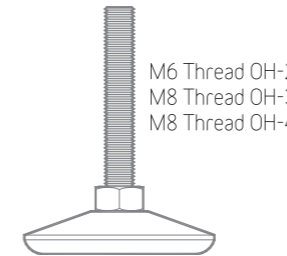
CODE: OPA-39
DESCRIPTION: PVC Beam Lock Housing Side Insert
COLOUR: White



CODE: OPA-40
DESCRIPTION: PVC Beam Lock Housing Top and Bottom Insert
COLOUR: Grey



CODE: OH-1
DESCRIPTION: Aluminium insert for floor glides. Use with OA-7

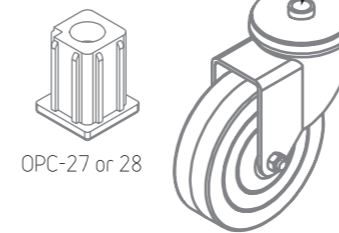


CODE: OH-2
DESCRIPTION: M6 Levelling Glide 36 Dia

CODE: OH-3
DESCRIPTION: M8 Levelling Glide 22 Dia

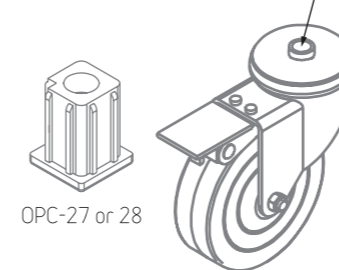
CODE: OH-4
DESCRIPTION: M8 Levelling Glide 38 Dia

Use with OPS-27 with a M8 bolt or use OPC-28 with a M10 bolt

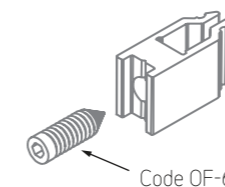


CODE: OH-5 Swivel
DESCRIPTION: Castor to be used with insert OPC-27 or OPC-28

Use with OPC-27 with a M8 bolt or use OPC-28 with a M10 bolt



CODE: OH-5 A Brake
DESCRIPTION: Castor to be used with insert OPC-27 or OPC-28



CODE: OH-6
DESCRIPTION: Shelf Peg Assembly Aluminium
COLOUR: Satin Anodised



CODE: OH-8
DESCRIPTION: 200mm Shelf Bracket
COLOUR: Bright Zinc
WEIGHT: 0.12Kg



CODE: OH-9
DESCRIPTION: 250mm Shelf Bracket
COLOUR: Bright Zinc
WEIGHT: 0.15Kg



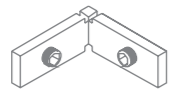
CODE: OH-10
DESCRIPTION: 300mm Shelf Bracket
COLOUR: Bright Zinc
WEIGHT: 0.19Kg



CODE: OH-11
DESCRIPTION: 350mm Shelf Bracket
COLOUR: Bright Zinc
WEIGHT: 0.30Kg

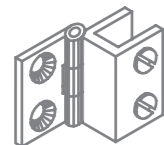


CODE: OH-12
DESCRIPTION: Fixing angle bracket for mitre joints
 16mm wide x 2mm
COLOUR: Bright Zinc
WEIGHT: 0.08Kg

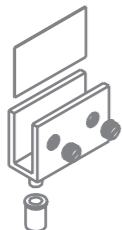


Code OF-7
Cone Head Screws

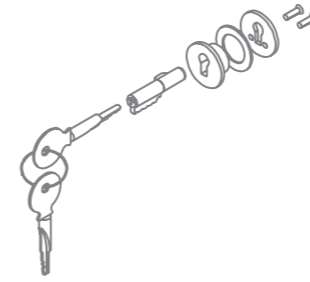
CODE: OH-13
DESCRIPTION: Angle Connector 40 x 40 x 4.5
COLOUR: Mill Finish Aluminium



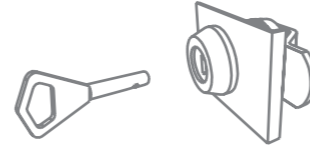
CODE: OH-14
DESCRIPTION: Glass Door Side Mount Hinge (comes as pairs) for 6mm glass
COLOUR: Chrome



CODE: OH-15
DESCRIPTION: Glass Door Pivot Hinge (comes as pairs) for 6mm glass
COLOUR: Chrome



CODE: OH-16
DESCRIPTION: Universal Plunger Lock for sliding doors
COLOUR: Chrome



CODE: OH-17
DESCRIPTION: Camlock for hinged doors
COLOUR: Chrome

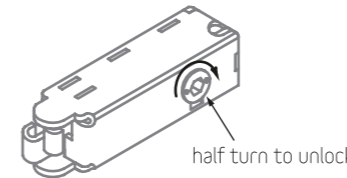


Safe Working Load 14Kg pair

CODE: OH-18
DESCRIPTION: Nylon Door Roller with metal housing
 use with Extrusion OA-63

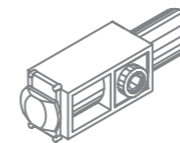


CODE: OH-19
DESCRIPTION: Glass Finger Pulls
COLOUR: Chrome and Gold

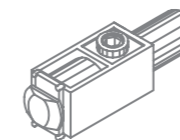


half turn to unlock

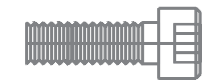
CODE: OH-21
DESCRIPTION: Metal Claw Lock 90° Connection
WEIGHT: 0.05Kg



CODE: OH-22
DESCRIPTION: Side Insertion Beam Lock Assembly
WEIGHT: 0.04Kg
COLOUR: White



CODE: OH-23
DESCRIPTION: Top and Bottom Beam Lock Assembly
WEIGHT: 0.04Kg
COLOUR: Grey



Used for casting
OC-1, OC-2, OC-13, OC-14

CODE: OF-1
DESCRIPTION: M5 x 12 Capscrew (4mm Allen Key)



CODE: OF-2
DESCRIPTION: M6 x 3/4 s/s CSK Posi fixing screws for top/bottom caps Code OA-6



Used for aluminium shelf
peg code: OH-6

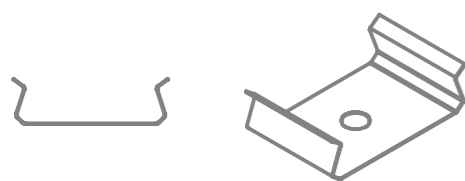
CODE: OF-6
DESCRIPTION: M5 x 16 s/s cone point grub screw (2.5mm AF Allen Key)



CODE: OF-7
DESCRIPTION: M8 x 10 s/s Cone Head for Beam Lock OH-22, OH-23 and OH-13 Angle Connection (4mm AF, Allen Key)



CODE: OF-8
DESCRIPTION: Beam lock spring 9.5 centre x 23



CODE: OF-9
DESCRIPTION: Mounting clips for LED light extrusion OA-59



CODE: OF-10
DESCRIPTION: M6 fixing nuts to slide into track of OA-6



CODE: OF-11
DESCRIPTION: M8 fixing nuts to slide into track of OA-6



CODE: OF-12
DESCRIPTION: Two stage drill bit for cast connectors



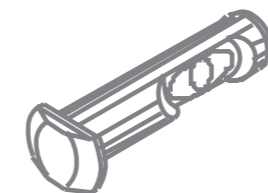
CODE: OF-13
DESCRIPTION: De Plug drill bit for beam locks



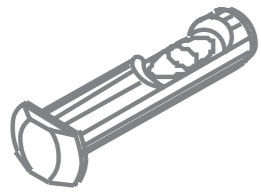
CODE: OF-14
DESCRIPTION: Router bit for Plankwall edging detail



CODE: OF-15
DESCRIPTION: Bayonet Housing Block for beam locks OH-22 and OH-23
COLOUR: Bright Zinc



CODE: OF-16
DESCRIPTION: Bayonet Side Insertion beam lock OH-22
FINISH: Bright Zinc



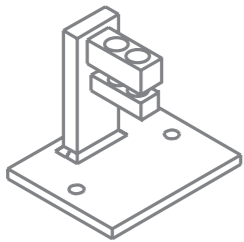
CODE: OF-17
DESCRIPTION: Bayonet Top / Bottom Insertion Beam lock OH-23
FINISH: Gold Pacifate



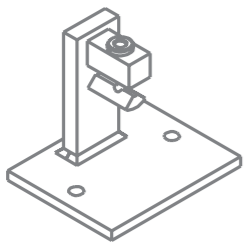
CODE: OF-21
DESCRIPTION: 4mm AF for M5 Capscrews OF-1



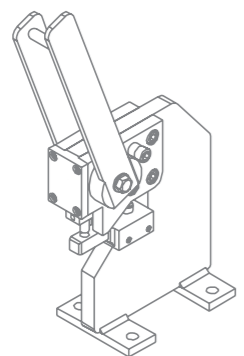
CODE: OF-22
DESCRIPTION: 2.5mm AF for M5 x 16 Cone Heads OF-6



CODE: OF-30
DESCRIPTION: Drilling jig for beam locks OH-21, OH-22 and OH-23
WEIGHT: 2.50Kg

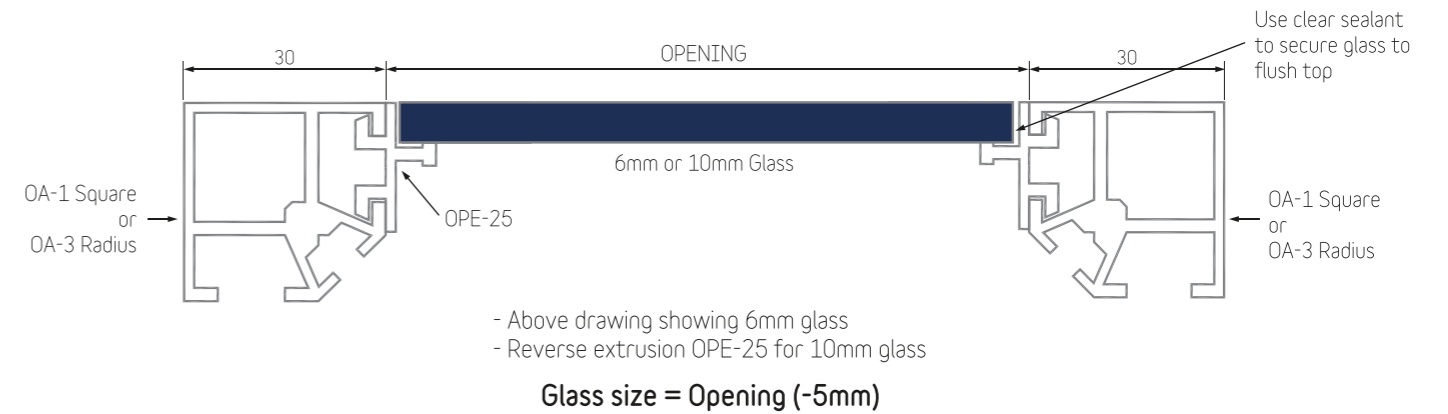


CODE: OF-32
DESCRIPTION: Drilling jig for cast connector OC Series
COLOUR: 2.50Kg

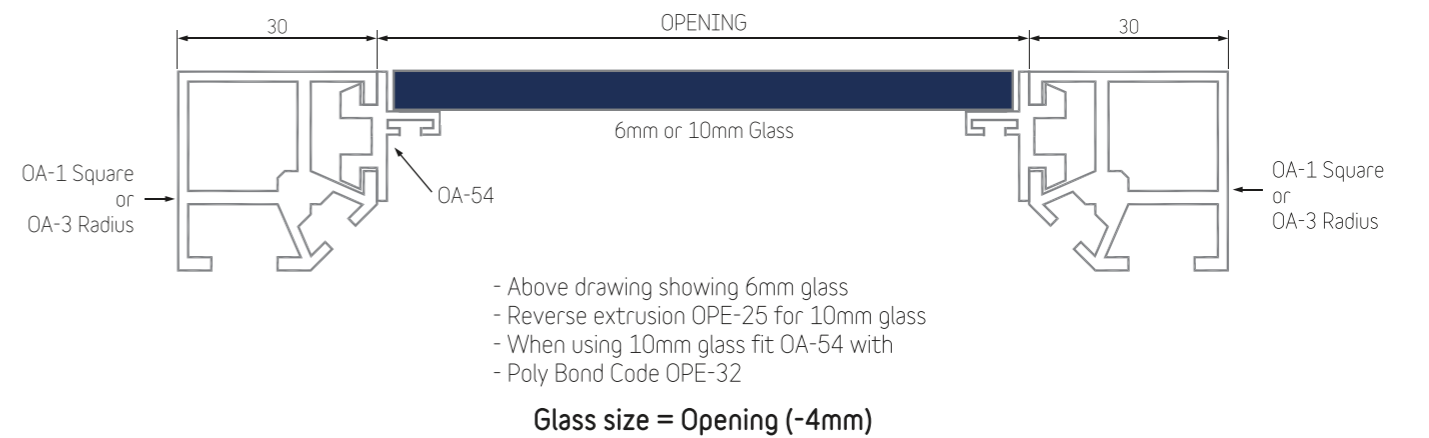


CODE: OF-34
DESCRIPTION: Hand punch for beam lock OH-22 and OH-23. Supplied with adaptor to punch OH-21
FINISH: 12.20Kg

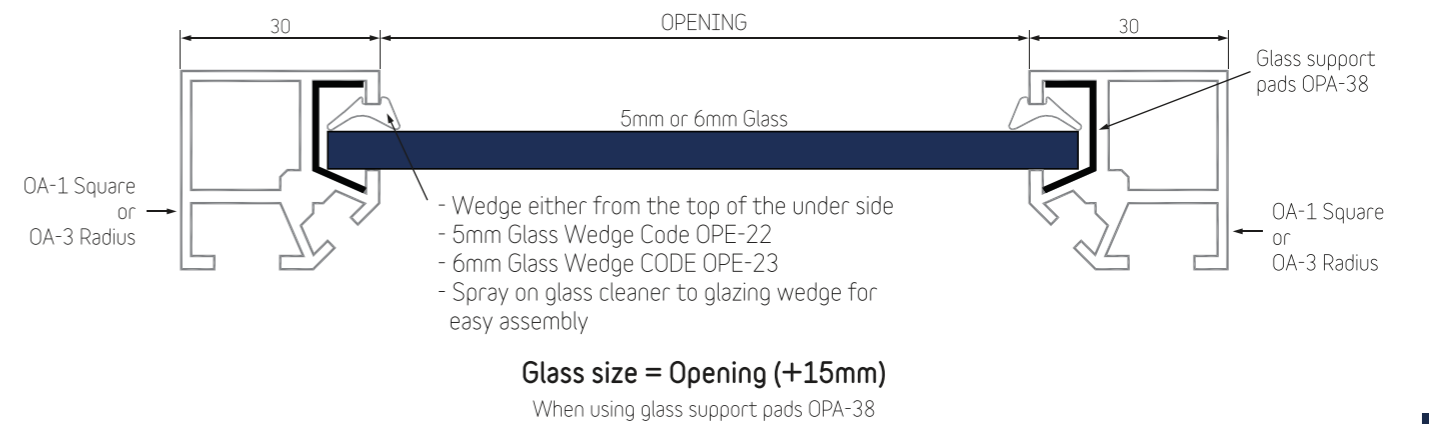
OPTION 1 Using clear PVC flush top extrusion code OPE-25



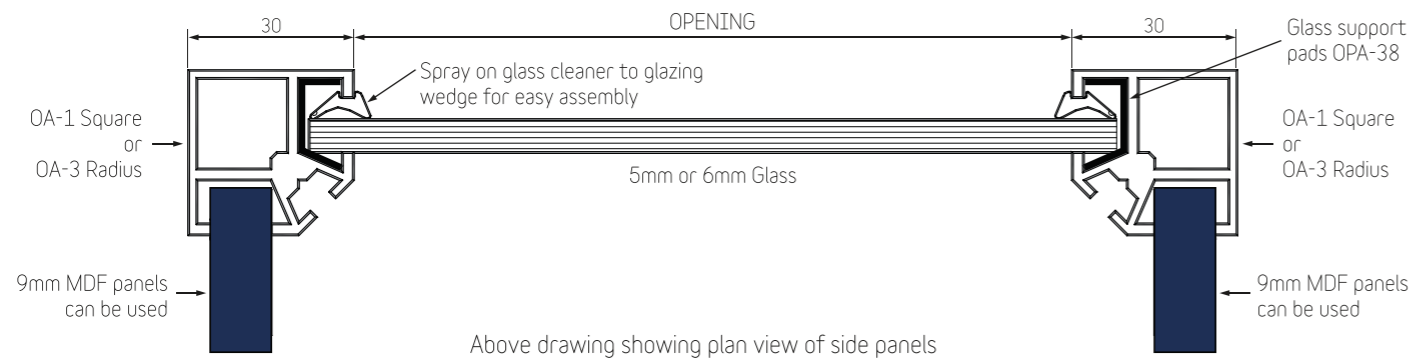
OPTION 2 Using Aluminium Flush Top Extrusion Code OA-54



OPTION 3 Using Glazing Wedge 5mm Glass Code OPE-22 or 6mm Class Code OPE-23



GLASS SIDE PANEL SPECIFICATIONS

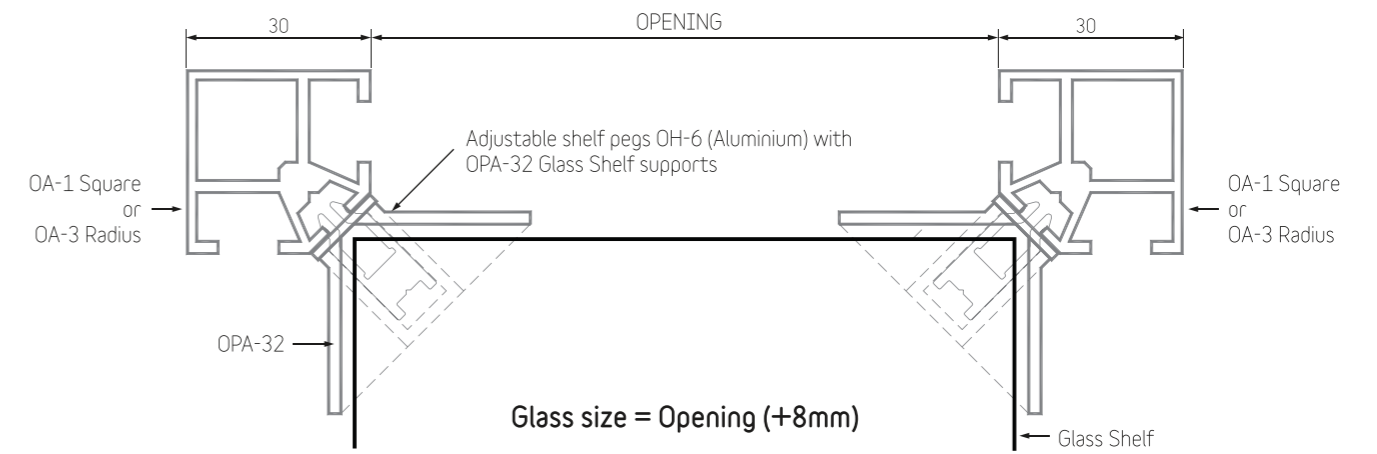


Above drawing showing plan view of side panels

Glass size = Opening (+15mm)
 When using glass support pads OPA-38
MDF Panels = Opening (+18mm)

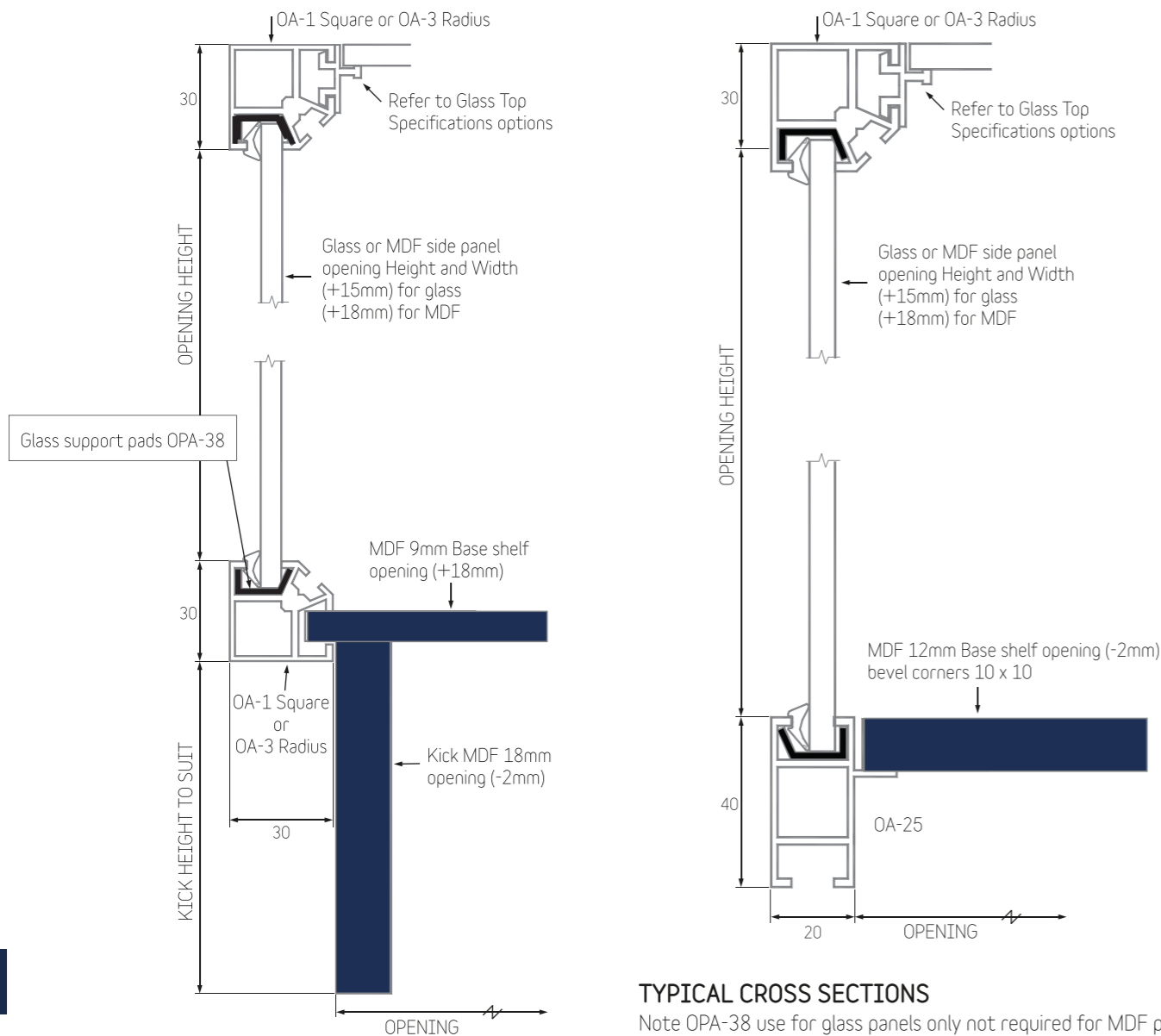
GLASS SHELF SPECIFICATIONS

OPTION 1



Glass size = Opening (+8mm)

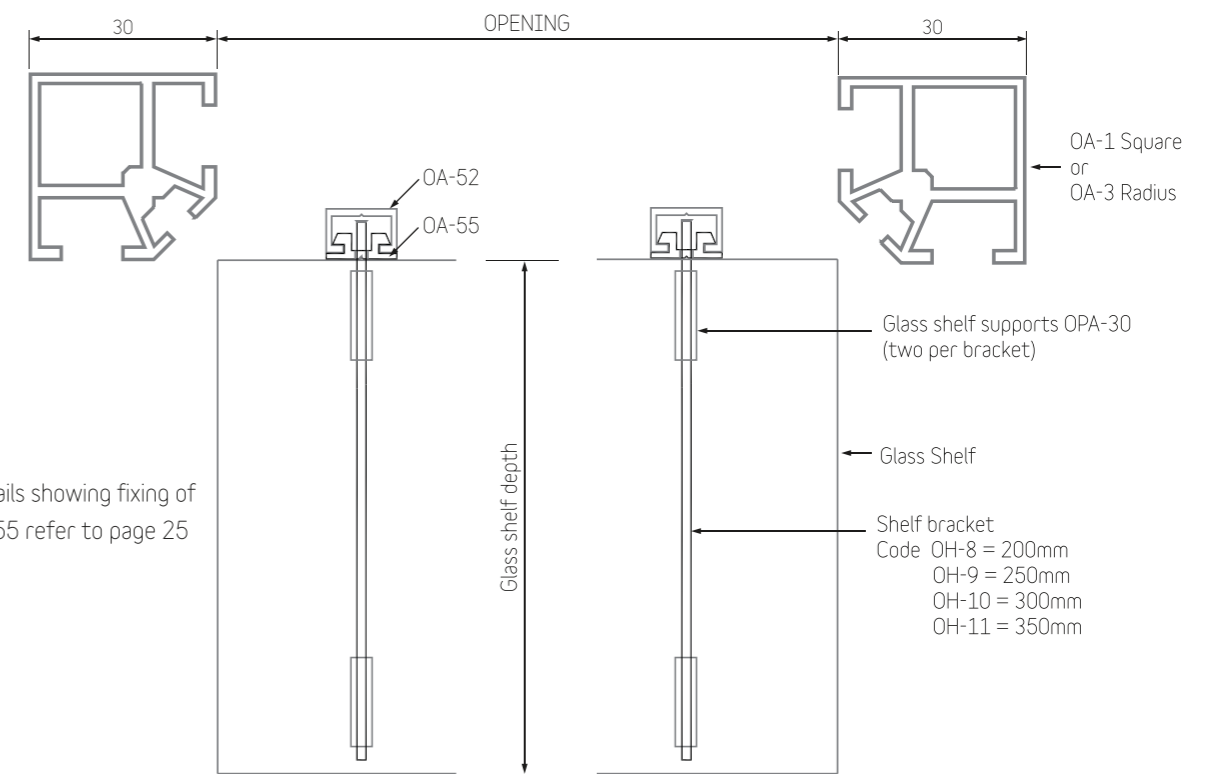
BASE SHELF SPECIFICATIONS



TYPICAL CROSS SECTIONS

Note OPA-38 use for glass panels only not required for MDF panels

OPTION 2

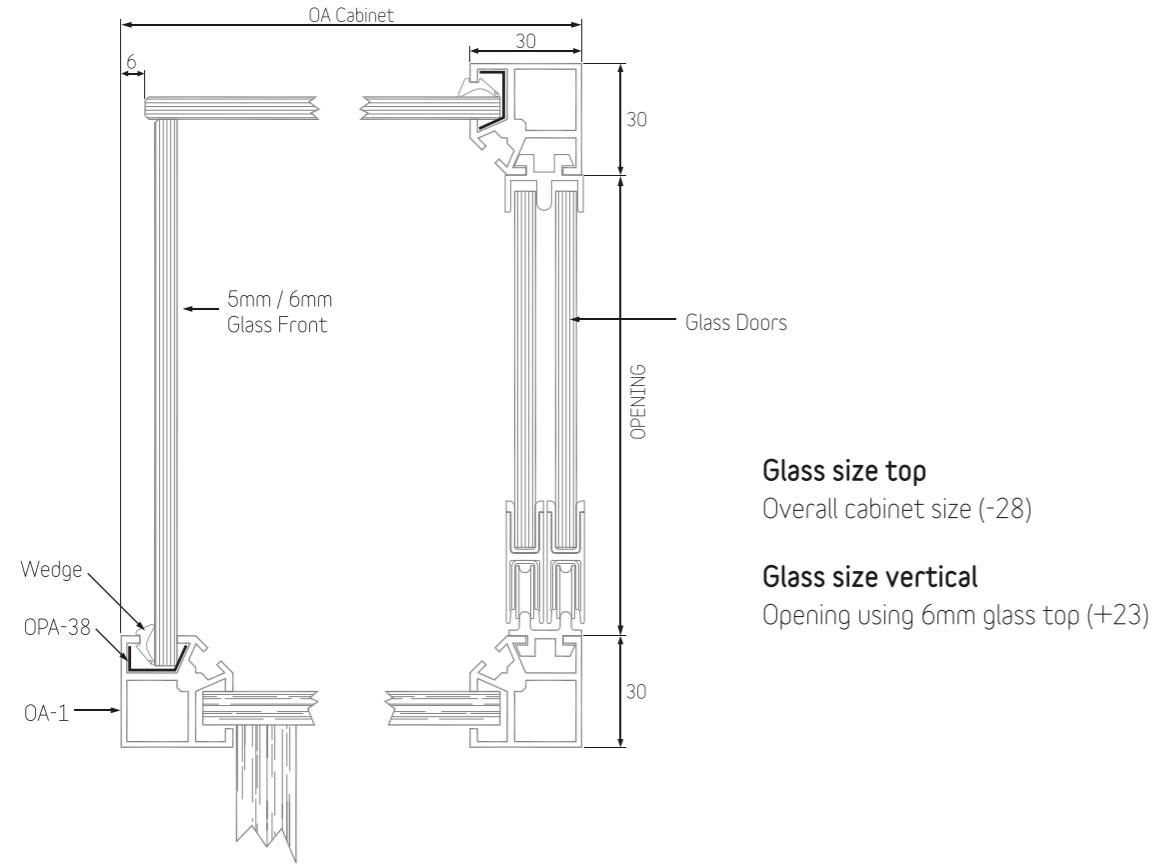


NOTE

For section details showing fixing of OA-52 and OA-55 refer to page 25

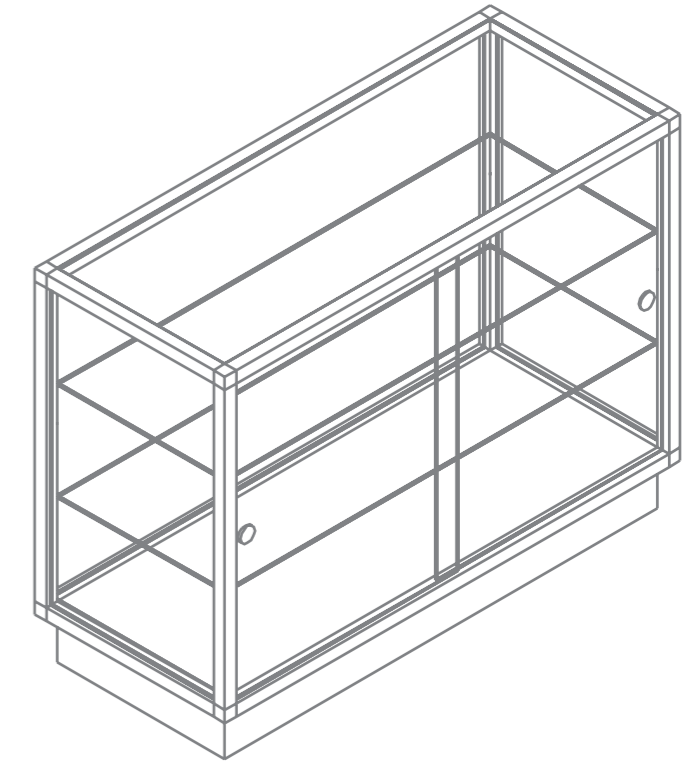
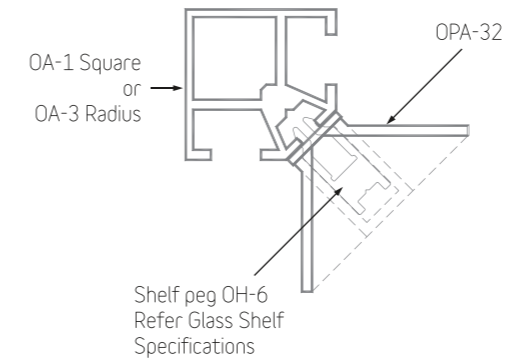
Glass size: Width = Opening
Depth = Bracket size + 10mm

GLASS TOP - NO FRONT EXTRUSION WITH WEDGE TOP

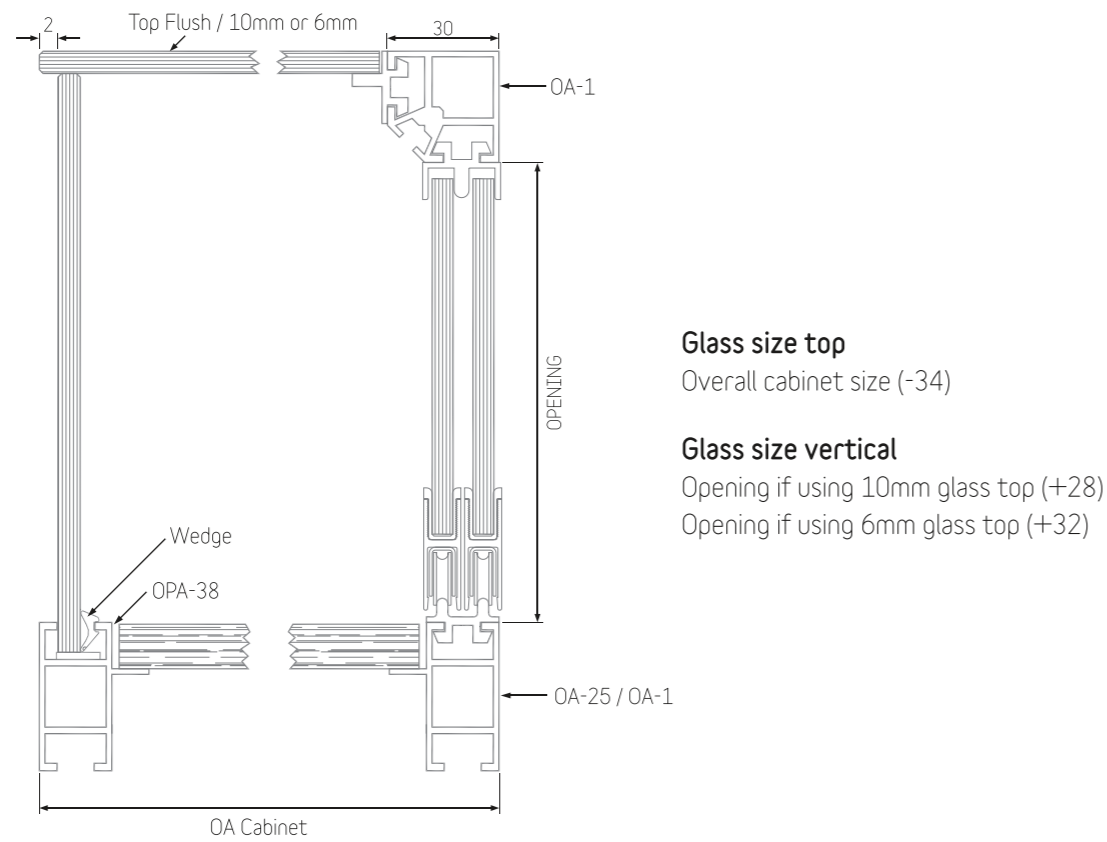


GLASS SHELF SPECIFICATIONS

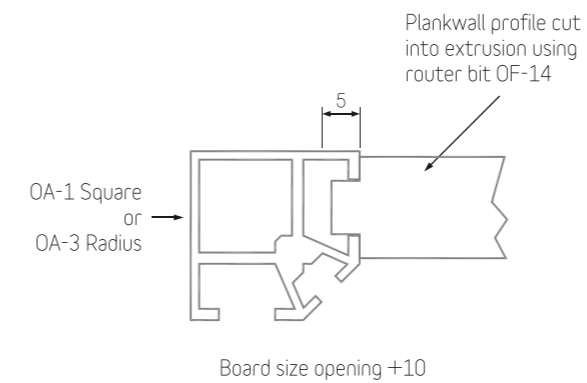
DESIGN OPTION 1



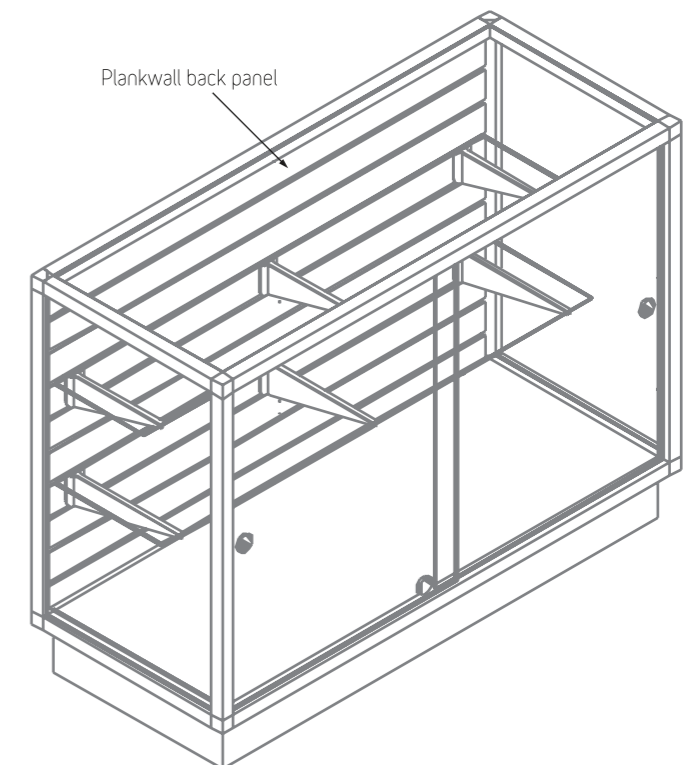
GLASS TOP - NO FRONT EXTRUSION WITH FLUSH TOP



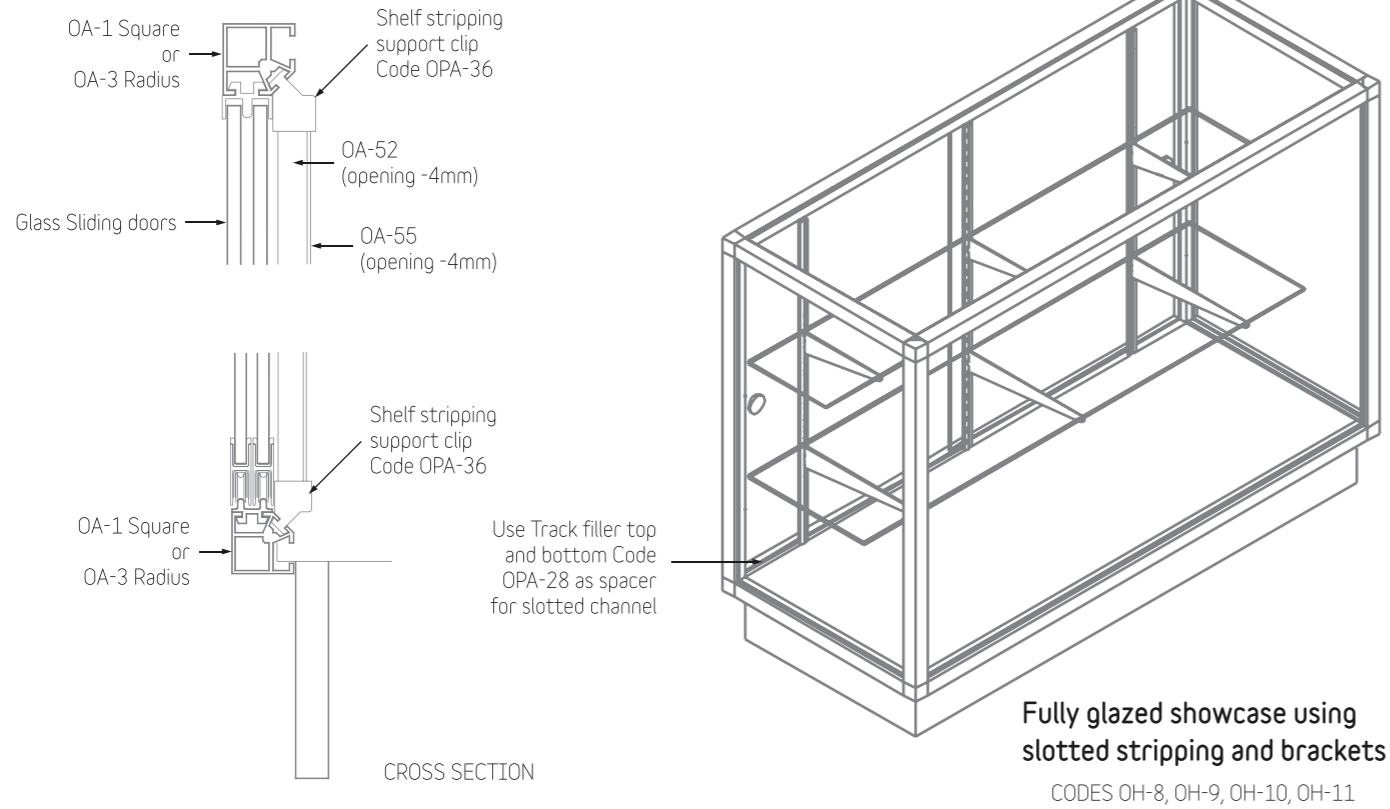
DESIGN OPTION 2



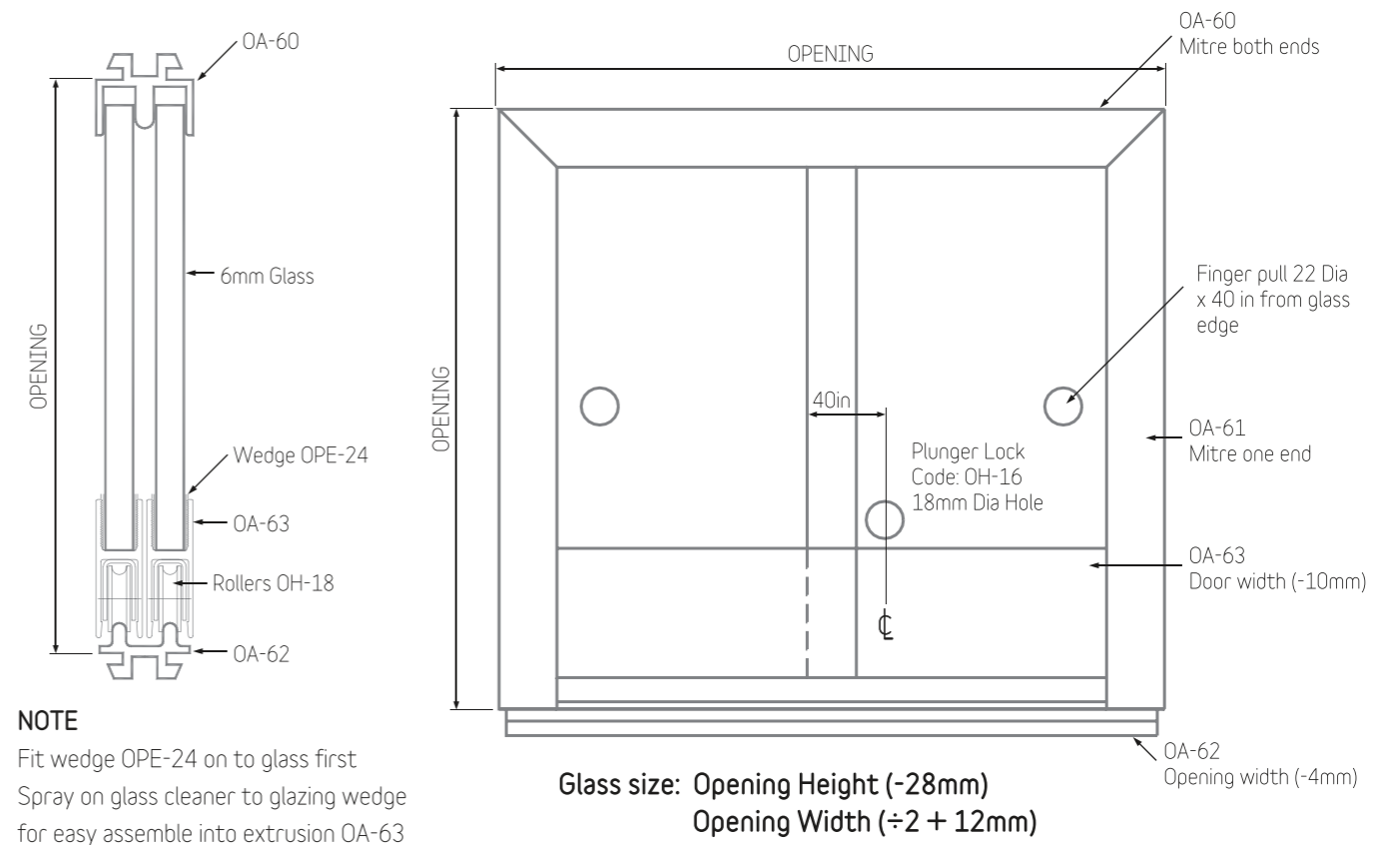
Fully glazed showcase using Plankwall back panel with polycarb brackets to support glass shelves



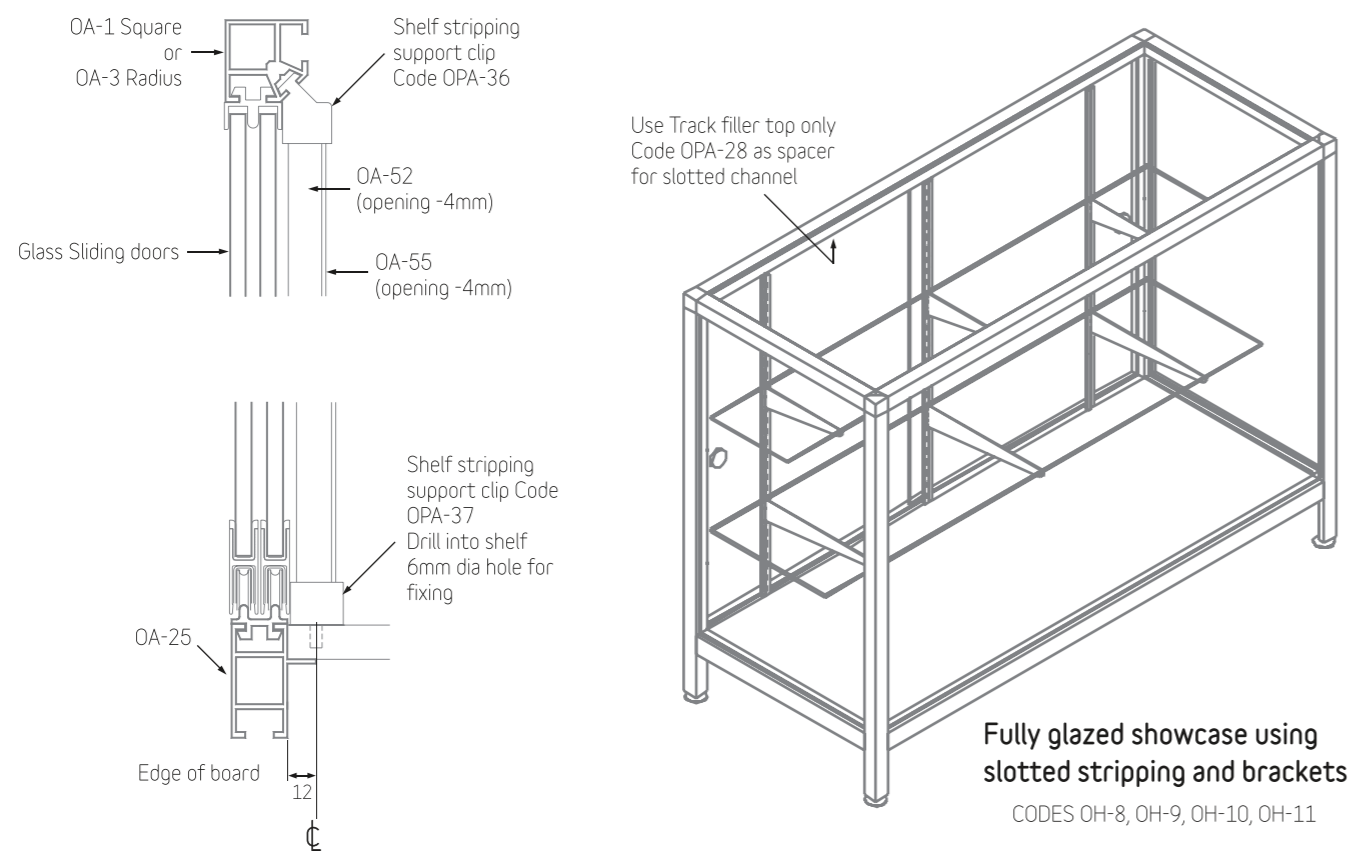
DESIGN OPTION 3



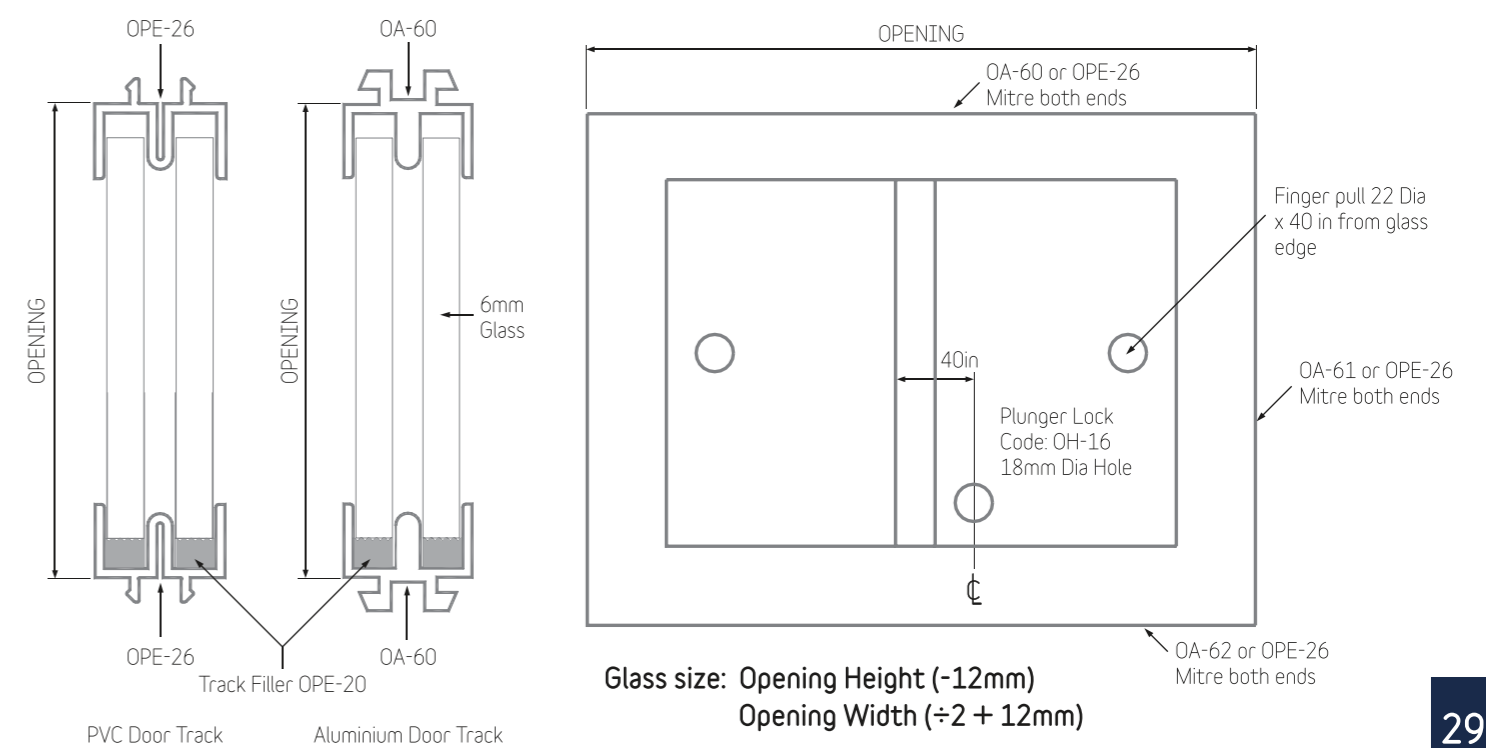
OPTION 1 - ROLLER TRACK ALUMINIUM



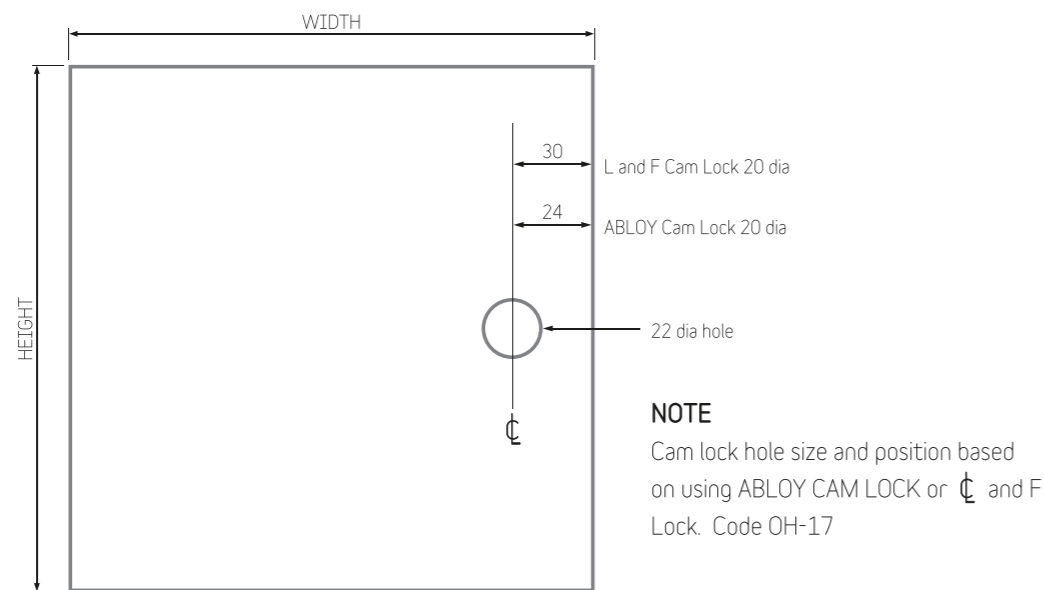
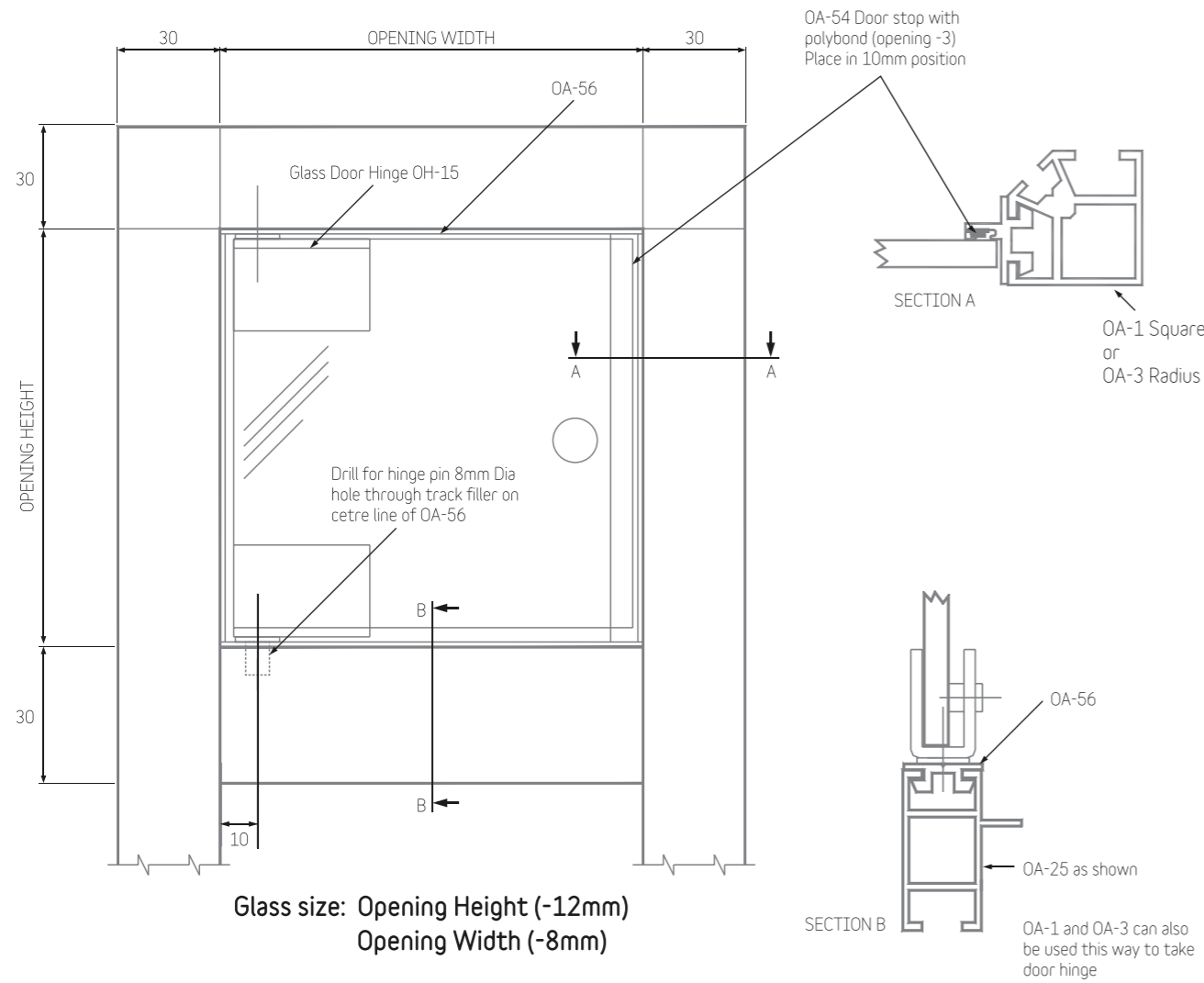
DESIGN OPTION 4



OPTION 2 - SLIDING ALUMINIUM or PVC DOOR TRACK

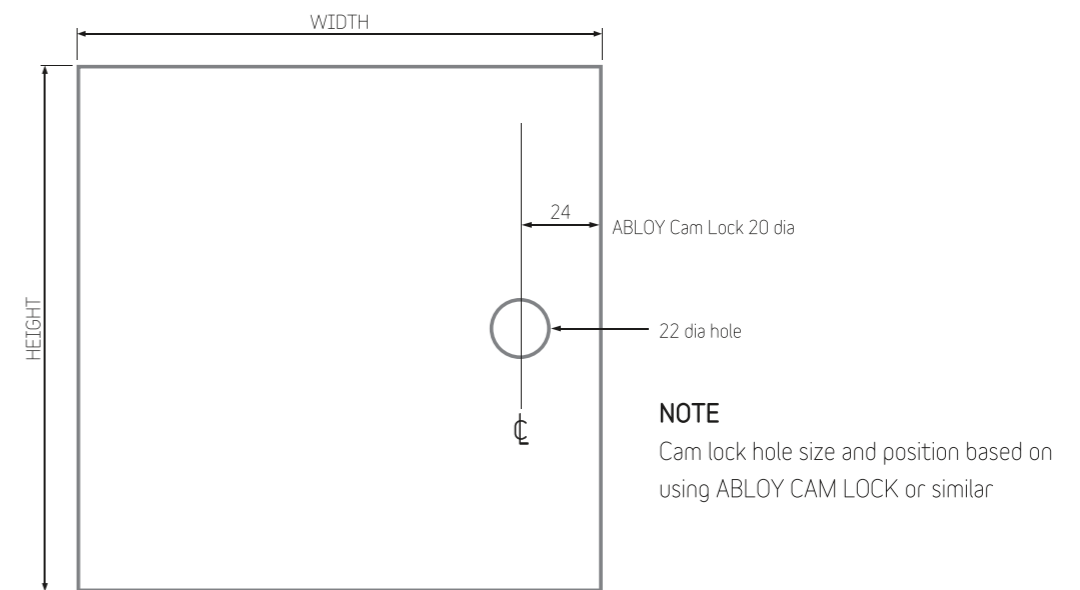
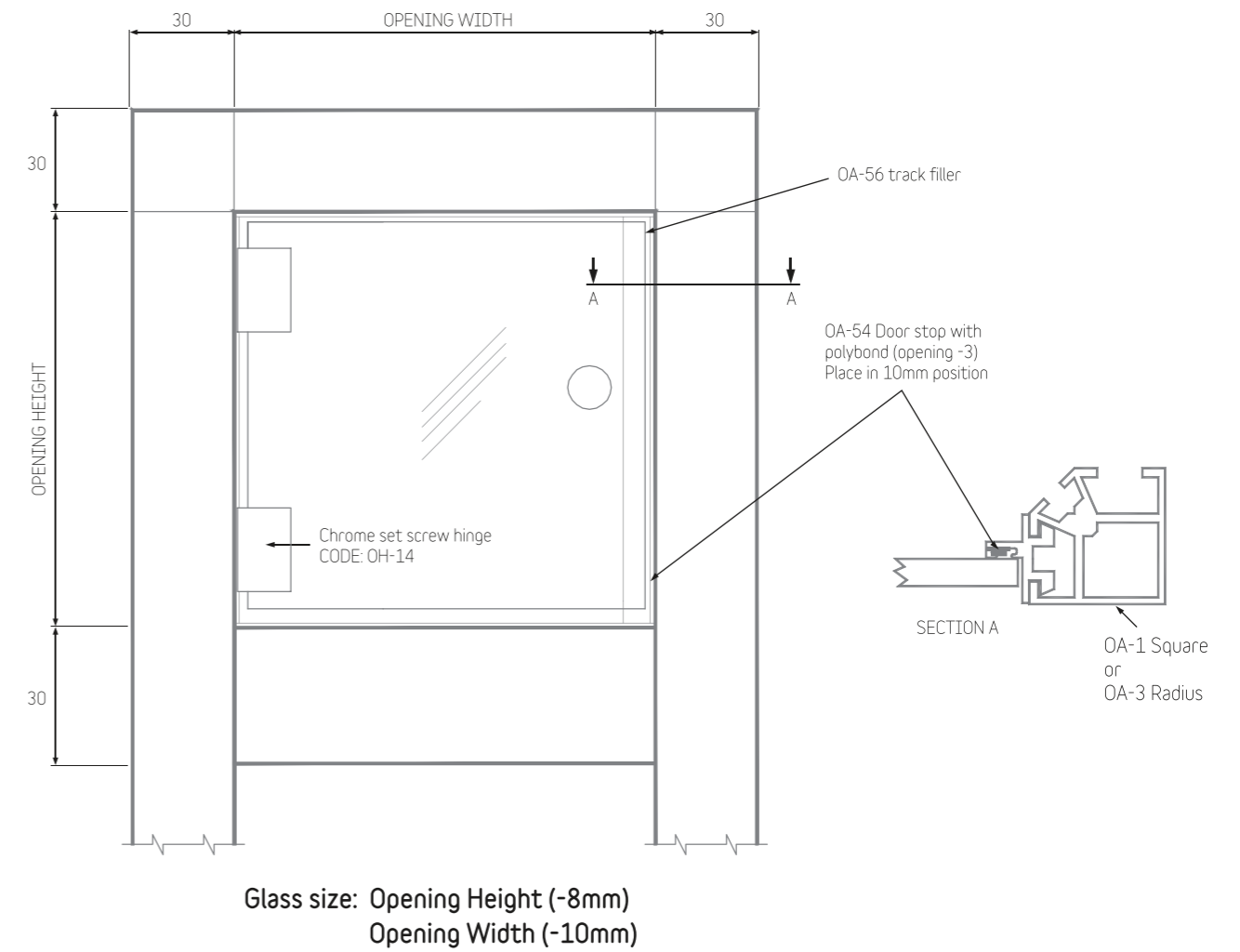


OPTION 3 - GLASS HINGED DOOR SPECIFICATIONS

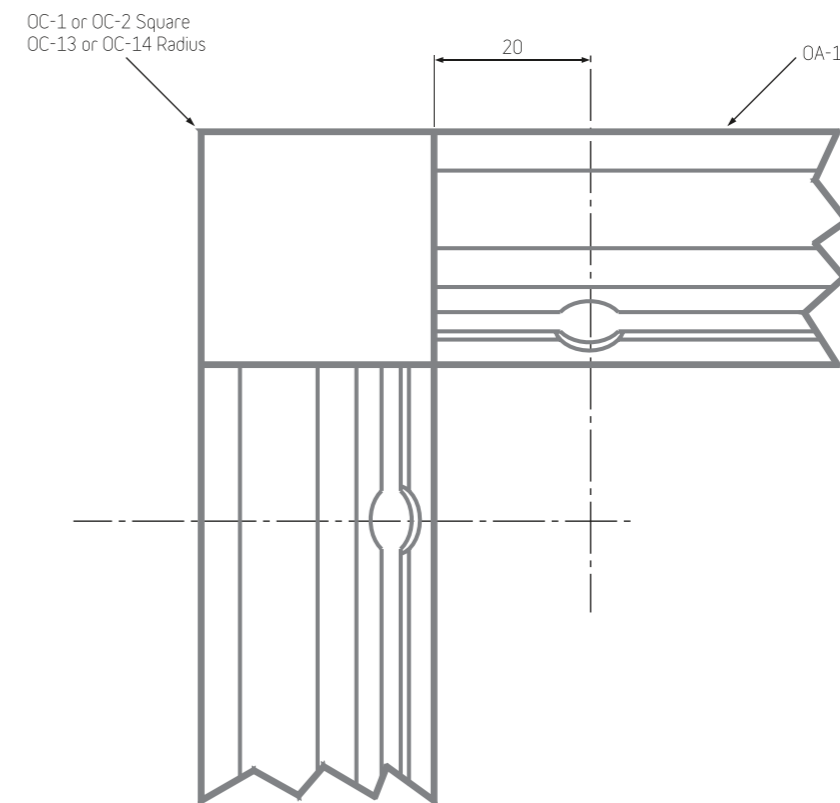
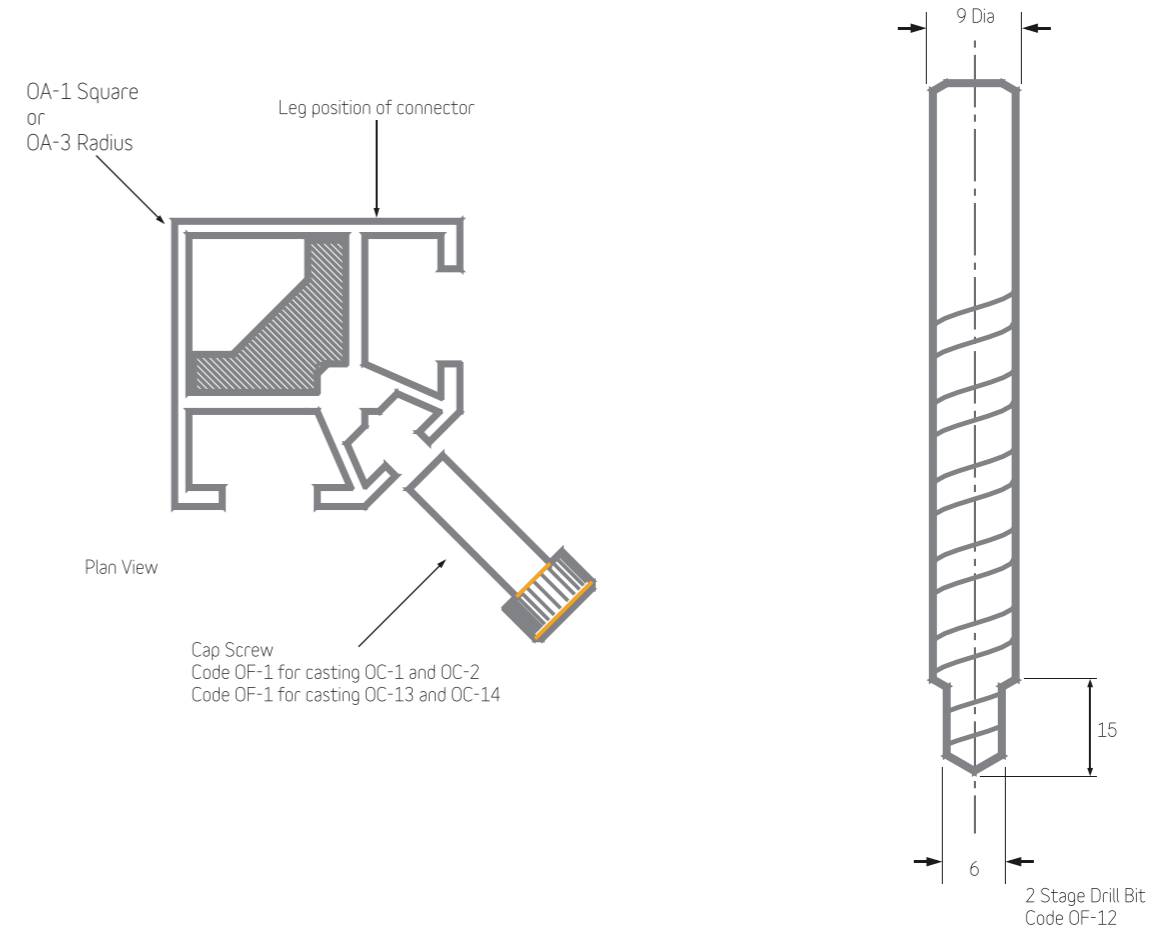
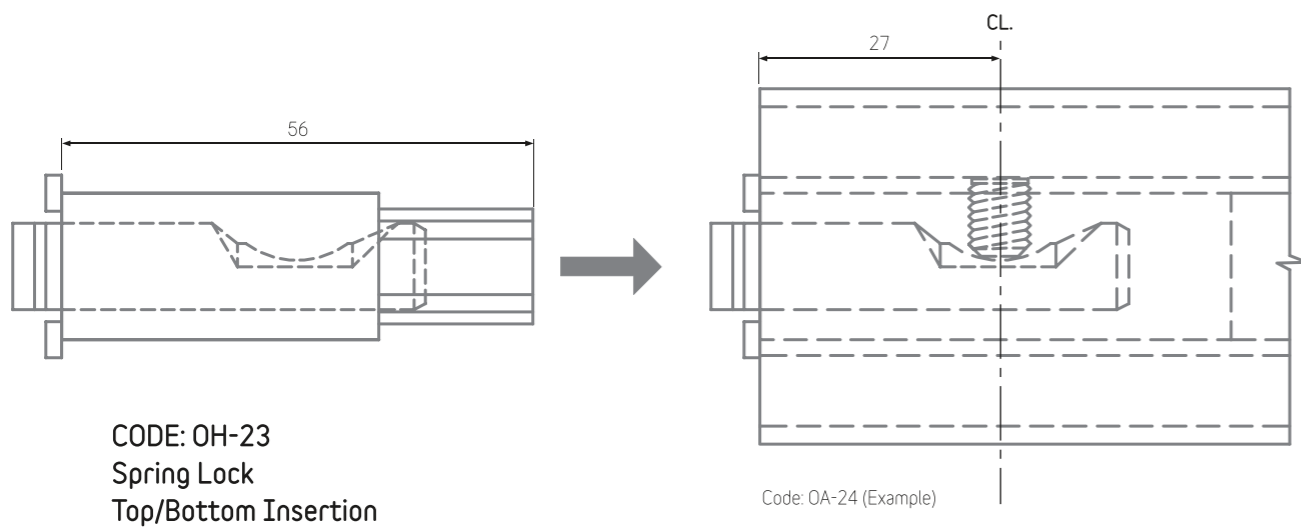
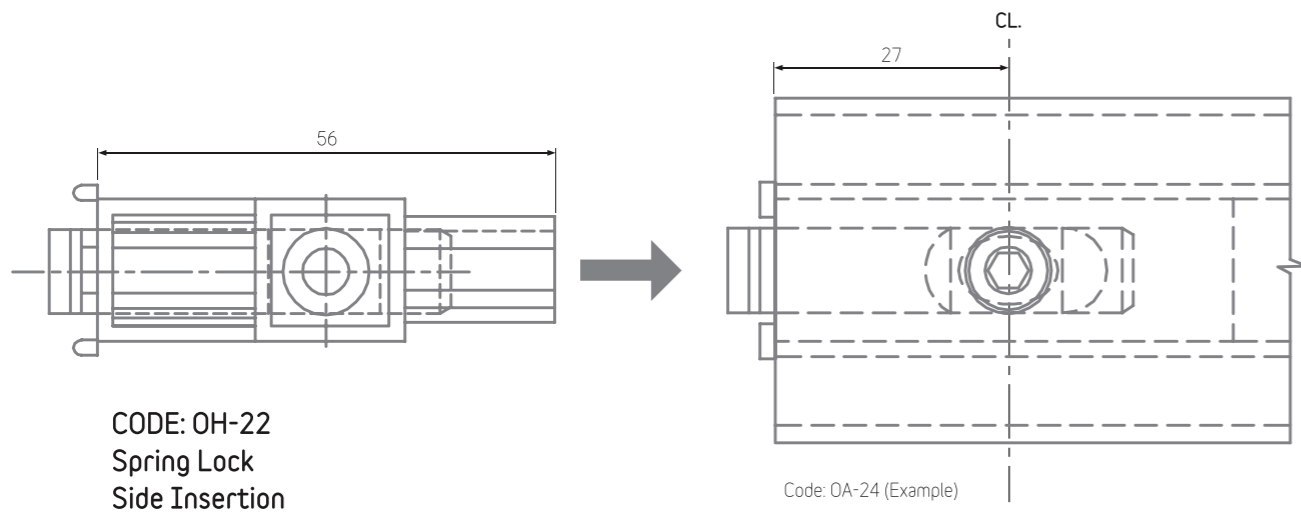
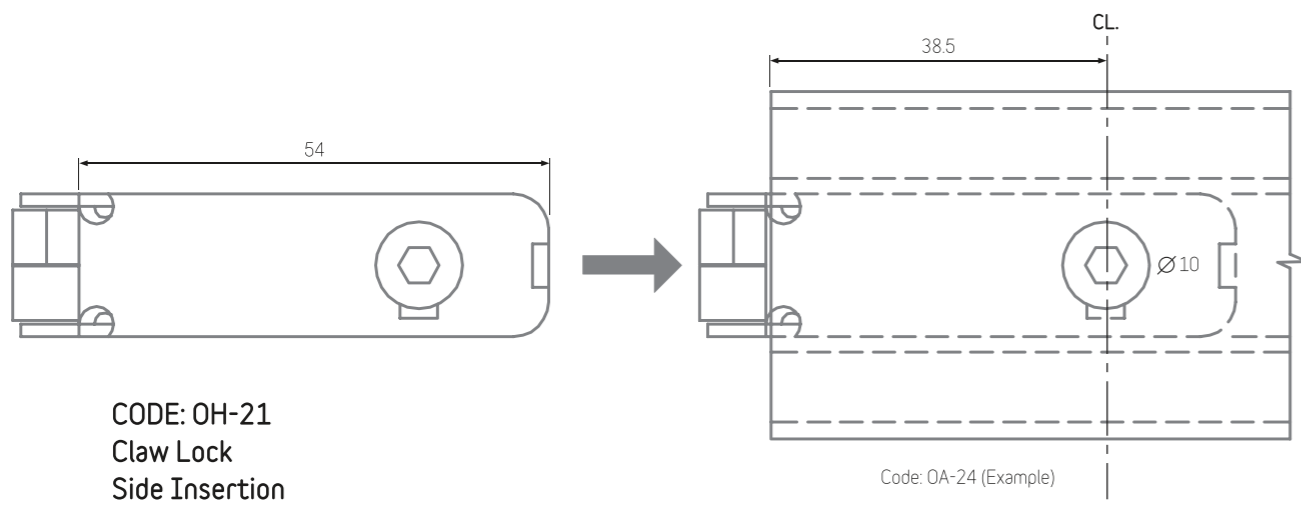


Door details for both glass and MDF storage doors

OPTION 4 - GLASS HINGED DOOR SIDE MOUNT SPECIFICATIONS



Door details for both glass and MDF storage doors





Eilbeck

ULLRICH

ALUMINIUM

Eilbeck

ULLRICH

ALUMINIUM

ABB

ABBAS

THERE'S AN ULLRICH ALUMINIUM BRANCH NEAR YOU



NEW SOUTH WALES

Sydney General Enquiries:
185-187 Woodpark Road
Smithfield, NSW 2164
+61 (2) 8787 7400

Sydney Fabrication:
185-187 Woodpark Road
Smithfield, NSW 2164
+61 (2) 8787 7468

Sydney South:
15 Blackmore Road
Smeaton Grange, NSW 2567
+61 (2) 4646 2200

Kurri Kurri:
HEZ Extrusion Plant
Lot 1, Bromage Road
HEZ Industrial Estate
Kurri Kurri, NSW 2327
+61 (2) 4015 6800

Newcastle:
6 Steel River Boulevard
Mayfield West, NSW 2304
+61 (2) 4949 2600

Bathurst:
10 Bradwardine Road
Robin Hill, NSW 2795
+61 (2) 6339 8900

Coffs Harbour:
13 Cook Drive
Coffs Harbour, NSW 2450
+61 (2) 6690 2400

SOUTH EAST QUEENSLAND

Brisbane:
20 Ron Boyle Crescent
Carole Park, QLD 4300
+61 (7) 3718 1400

Banyo:
40 Buchanan Road
Banyo, QLD 4014
+61 (7) 3335 6700

Caloundra:
37 Enterprise Street
Caloundra, QLD 4551
+61 (7) 5390 7600

Gold Coast:
24 Township Drive
West Burleigh, QLD 4219
+61 (7) 5586 1500

QUEENSLAND

Cairns:
16 Spoto Street
Woree, QLD 4868
+61 (7) 4252 3200

Townsville:
5 Whitehouse Street
Garbutt, QLD 4814
+61 (7) 4720 7100

Mackay:
105-111 Maggiolo drive
Paget, QLD 4740
+61 (7) 4864 2100

Rockhampton:
103 Stanley Street
Rockhampton, QLD 4700
+61 (7) 4923 8600

Wide Bay:
48B Lower Mountain Road
Dundowran, QLD 4655
+61 (7) 4196 9000

NORTHERN TERRITORY

Darwin:
114 Reichardt Road
Winnellie, NT 0820
+61 (8) 7929 8400

WESTERN AUSTRALIA

Perth:
17 King Street
Bayswater, WA 6053
+61 (8) 9473 4700

Bunbury:
33 Clifford Street
Halifax, WA 6230
+61 (8) 9796 4200

TASMANIA

Launceston:
86 Invermay Road
Launceston, TAS 7250
+61 (3) 6327 8600

Hobart:
123 Albert Rd
Moonah, TAS 7009
+61 (3) 6278 0000

VICTORIA

Melbourne:
893 Princes Highway
Springvale, VIC 3171
+61 (3) 9567 7200

SOUTH AUSTRALIA

Adelaide:
57 Diagonal Road
Pooraka, SA 5095
+61 (8) 8300 2500

ACT REGION

Canberra:
12 Sawmill Circuit
Hume, ACT 2620
+61 (2) 6243 9700

Albury-Wodonga
28 Fallon Street
Albury, NSW 2640
+61 (2) 6049 9800

FOR FURTHER INFORMATION CALL **1300 650 175**

TO VIEW THE FULL RANGE OF ULLRICH ALUMINIUM PRODUCTS VISIT: www.ullrich.com.au





SALES ENQUIRIES 1300 650 075
www.ullrich.com.au