

ULLTRA FENCE



ALUMINIUM FENCE AND GATE SYSTEMS



INSTALLATION
REFERENCE



ULLRICH ALUMINIUM



**Design Flexibility.
Versatile Solutions.**

- **General Information** **4**
- **Colour Range** **6**
- **Section Profiles** **8**
- **Exploded Views** **10**
- **National Branch Network** **14**



DESIGN FLEXIBILITY

VERSATILE FENCING SOLUTIONS

Ullrich Aluminium Ultra Fence systems combine good looks with low maintenance. With great strength, wear and versatility it can be used to construct a wide range of products.

Suitable for outdoor furniture, planter boxes, letter boxes, fencing and gates, sunscreens, privacy screens, plant-room enclosures (rubbish, air conditioner and pool pumps), and decking...

With a great range of contemporary colours available, we will find a solutions that's right for you.

APPLICATIONS

Ullrich Aluminium stylish Slat Fencing and Privacy Screens are made from tough, rust free aluminium. Offering the latest in architectural style, while giving your home the privacy you deserve. With its strong and durable powder coated finish we offer you a low maintenance, long lasting solution.

Privacy slats are available in a range of colours and can be used on decks, windows, & carports to give you the privacy and security you need.



PRODUCT FEATURES

ARCHITECTURAL DESIGNED

The Ullrich Aluminium Ultra Fence system is a suite of specifically designed extrusions that provide a premium slat screening solutions for use in both domestic and commercial fence and screening applications.

Similar to other Ullrich Aluminium systems, the Ultra Fence and Gate system incorporates a stylish design balanced with the need to be simple and fast during fabrication and installation.

SIMPLE FABRICATION

Non-Weld System! By eliminating the need to weld, slat sections providing a strong and durable finished product. Screens and fences can be easily fabricated either by cementing posts into the ground or by fastening in situ.

EXPERT ADVICE

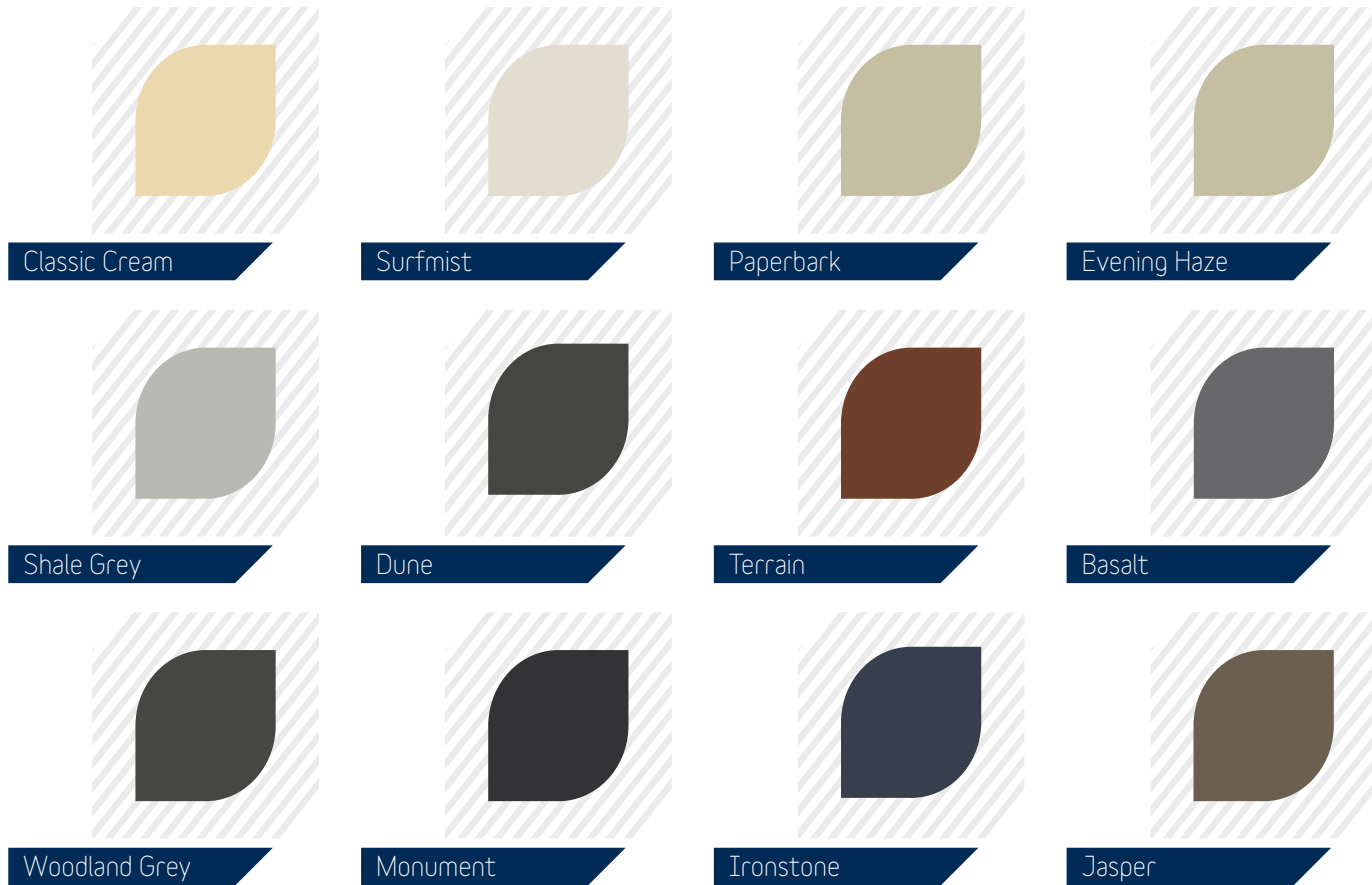
At Ullrich Aluminium we pride ourselves in our ability to provide expert advice and support across all our range of residential and commercial fencing solutions.

Our dedicated specialists can assist in all aspects of pre and post sales support.





CLASSIC COLOUR RANGE



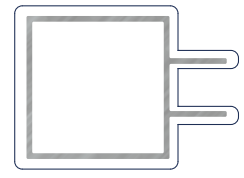
Ulltra Fence Aluminium fencing and gate systems are suited to both residential & commercial building applications and is available in a wide range of colours in classic or contemporary designs from Interpon & Dulux with 10,15,20 year warranties.

CONTEMPORARY COLOUR RANGE

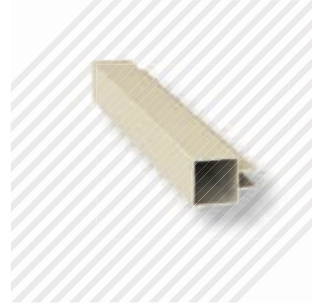


Please note that the colours provided are a guide only and have been matched as closely as possible to Ullrich Aluminium's production standards. As we have no control over the resolution and screens that the colours are viewed on, some degree of colour variation may occur. Where more than one finish is available, product colour may vary. We recommend that you use production line prepared samples for final colour selection or approval.

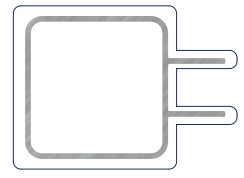
> SLAT FENCE SECTION PROFILES



AP 277mm
PP 277mm



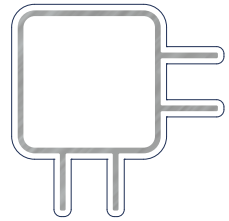
UA10080
50_{MM} - 1 WAY POST SQUARE CORNERS



AP 268mm
PP 268mm



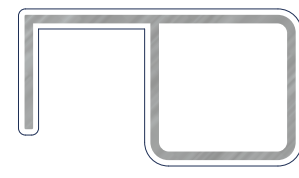
UA10082
50_{MM} - 1 WAY POST RADIUS CORNERS



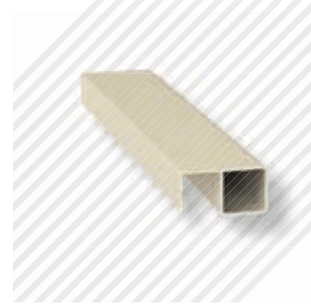
AP 346mm
PP 346mm



UA10180
50_{MM} - CORNER POST RADIUS CORNERS



AP 356mm
PP 356mm



UA 6272
GATE TOP TRACK



AP 222mm
PP 0mm



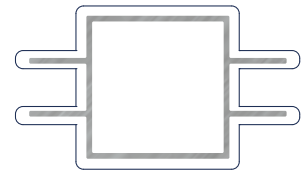
UA 4869
GATE BOTTOM TRACK



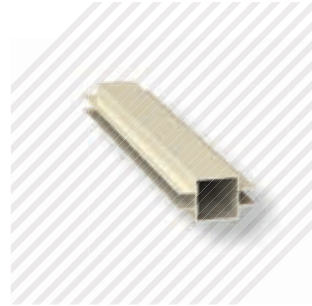
AP 104mm
PP 104mm



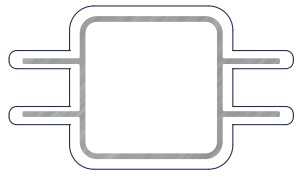
RR 38161.6
38_{MM} X 16_{MM} X 1.6_{MM} SLAT



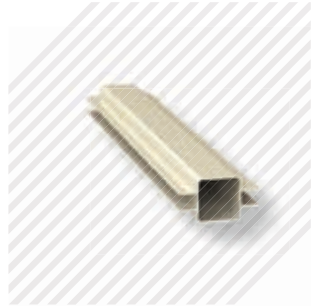
AP 355mm
PP 355mm



UA10079
50_{MM} - 2 WAY POST SQUARE CORNERS



AP 346mm
PP 346mm



UA10081
50_{MM} - 2 WAY POST RADIUS CORNERS



AP 74mm
PP 74mm



UA 4090
20_{MM} SQUARE RAILING RADIUS CORNERS



AP 156mm
PP 156mm



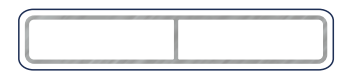
RR 65161.2
65_{MM} X 16_{MM} X 1.2_{MM} SLAT



AP 156mm
PP 156mm



RR 65161.4
38_{MM} X 16_{MM} X 1.4_{MM} SLAT



AP 226mm
PP 226mm

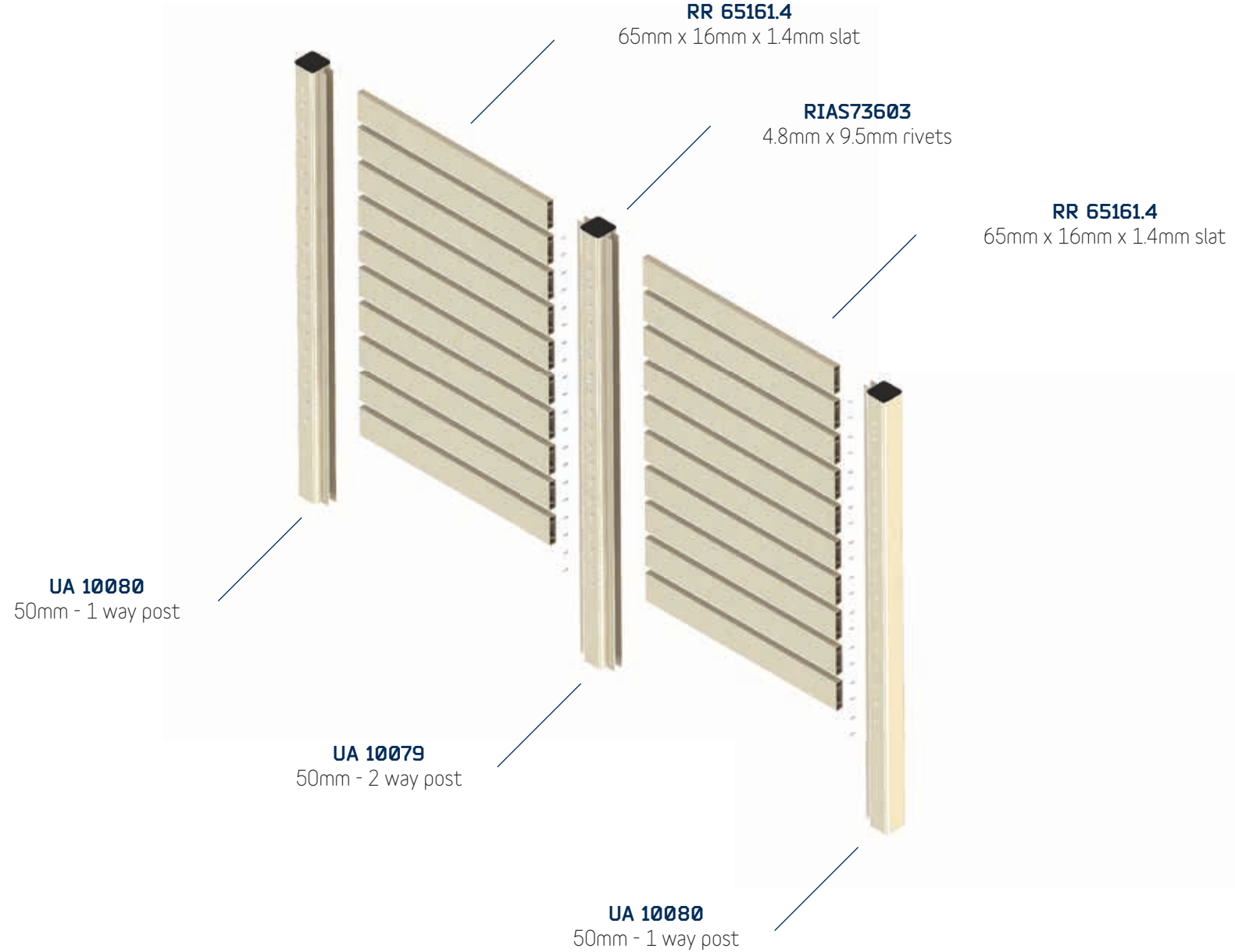


RR 100161.4
100_{MM} X 16_{MM} X 1.4_{MM} SLAT

NOT DRAWN TO SCALE

EXPLODED VIEW

ULLTRA FENCE - SLAT ASSEMBLY



EXPLODED VIEW

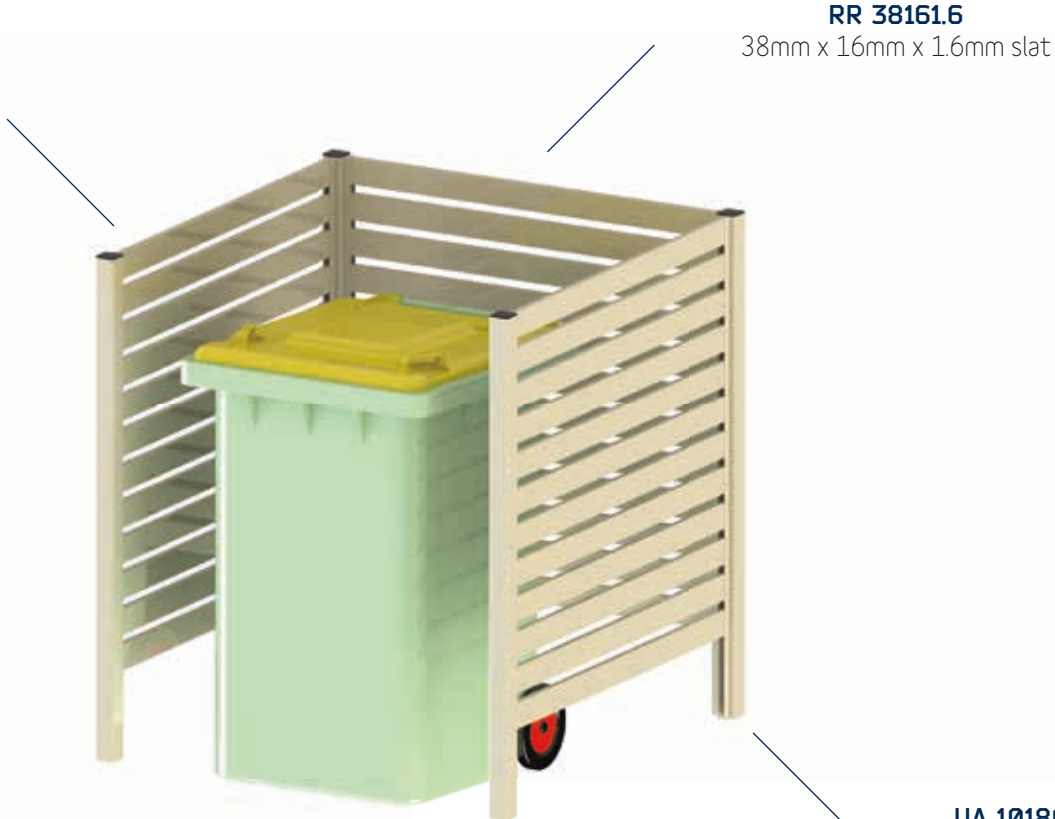
ULLTRA FENCE - GATE ASSEMBLY



CONFIGURATIONS

⊙ ULLTRA FENCE - BIN SCREENING ASSEMBLY

RIAS73403
3.2mm x 8.2mm rivets



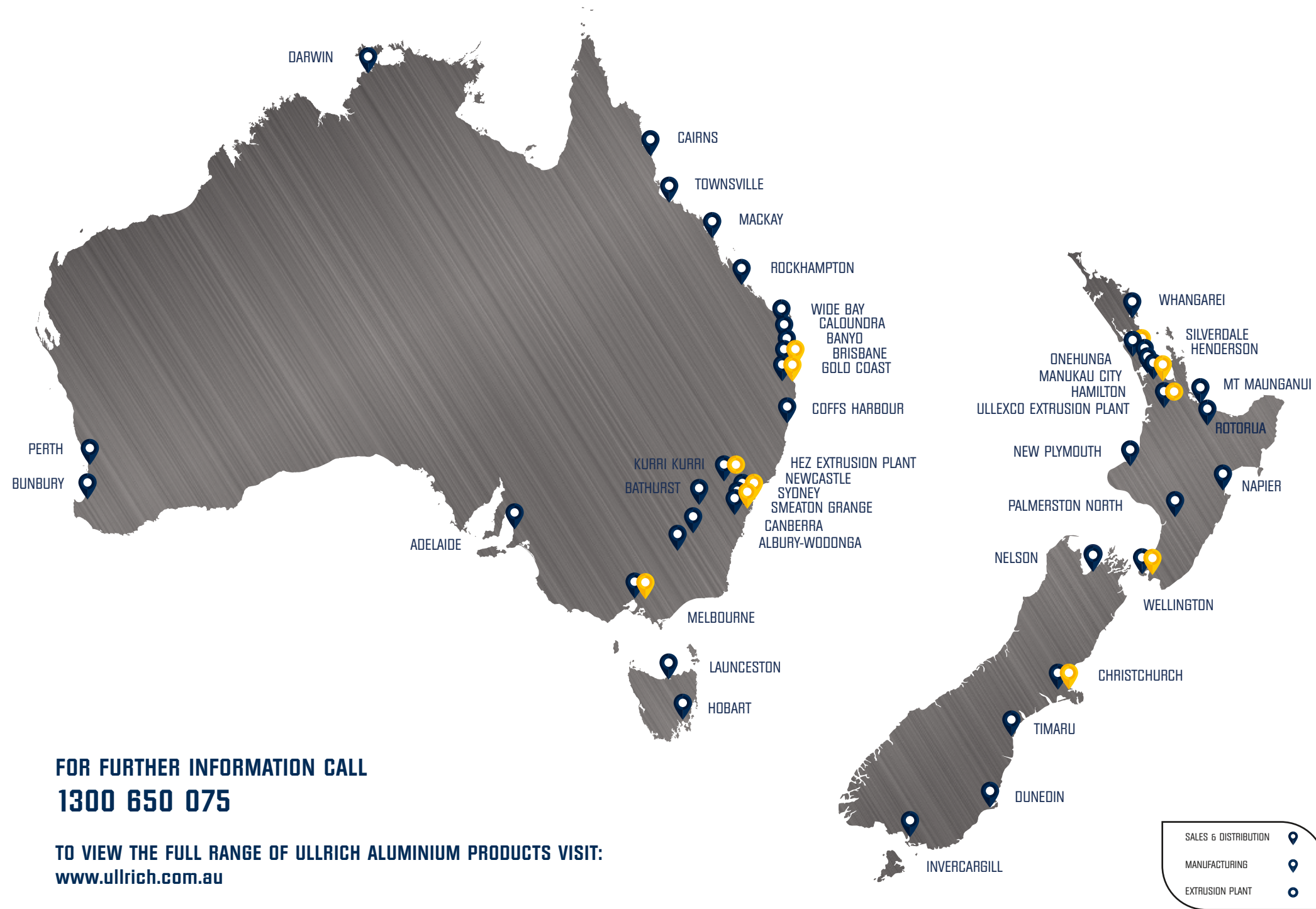
RR 38161.6
38mm x 16mm x 1.6mm slat

UA 10180
50mm - corner post

UA 10080
50mm - 1 way post



Contemporary.
Thinking.



**FOR FURTHER INFORMATION CALL
1300 650 075**

**TO VIEW THE FULL RANGE OF ULLRICH ALUMINIUM PRODUCTS VISIT:
www.ullrich.com.au**

THERE'S AN ULLRICH ALUMINIUM BRANCH NEAR YOU

NEW SOUTH WALES	SOUTH EAST QUEENSLAND	QUEENSLAND	NORTHERN TERRITORY	VICTORIA
Sydney General Enquiries: 185-187 Woodpark Road Smithfield, NSW 2164 +61 (2) 8787 7400	Brisbane: 20 Ron Boyle Crescent Carole Park, QLD 4300 +61 (7) 3718 1400	Cairns: 16 Spoto Street Woree, QLD 4868 +61 (7) 4252 3200	Darwin: 114 Reichardt Road Winnellie, NT 0820 +61 (8) 7929 8400	Melbourne: 893 Princes Highway Springvale, VIC 3171 +61 (3) 9567 7200
Sydney South: 15 Blackmore Road Smeaton Grange, NSW 2567 +61 (2) 4646 2200	Banyo: 40 Buchanan Road Banyo, QLD 4014 +61 (7) 3335 6700	Townsville: 5 Whitehouse Street Garbutt, QLD 4814 +61 (7) 4720 7100	WESTERN AUSTRALIA Perth: 17 King Street Bayswater, WA 6053 +61 (8) 9473 4700	SOUTH AUSTRALIA Adelaide: 57 Diagonal Road Pooraka, SA 5095 +61 (8) 8300 2500
Kurri Kurri: HEZ Extrusion Plant Lot 1, Bromage Road HEZ Industrial Estate Kurri Kurri, NSW 2327 +61 (2) 4015 6800	Caloundra: 37 Enterprise Street Caloundra, QLD 4551 +61 (7) 5390 7600	Mackay: 105-111 Maggiolo drive Paget, QLD 4740 +61 (7) 4864 2100	Bunbury: 33 Clifford Street Halifax, WA 6230 +61 (8) 9796 4200	ACT REGION Canberra: 12 Sawmill Circuit Hume, ACT 2620 +61 (2) 6243 9700
Newcastle: 6 Steel River Boulevard Mayfield West, NSW 2304 +61 (2) 4949 2600	Gold Coast: 24 Township Drive West Burleigh, QLD 4219 +61 (7) 5586 1500	Rockhampton: 103 Stanley Street Rockhampton, QLD 4700 +61 (7) 4923 8600	TASMANIA Launceston: 86 Invermay Road Launceston, TAS 7250 +61 (3) 6327 8600	Albury-Wodonga: 28 Fallon Street Albury, NSW 2640 +61 (2) 6049 9800
Bathurst: 10 Bradwardine Road Robin Hill, NSW 2795 +61 (2) 6339 8900		Wide Bay: 48B Lower Mountain Road Dundowran, QLD 4655 +61 (7) 4196 9000	Hobart: 123 Albert Rd Moonah, TAS 7009 +61 (3) 6278 0000	
Coffs Harbour: 13 Cook Drive Coffs Harbour, NSW 2450 +61 (2) 6690 2400				





SALES ENQUIRIES 1300 650 075

www.ulrich.com.au