



## GALLERY OF ALUMINIUM BALUSTRADE SYSTEMS



Balustrade and Privacy Screens

## THERE'S AN ULLRICH ALUMINIUM BRANCH NEAR YOU

### NEW SOUTH WALES

Sydney General Enquiries:  
185-187 Woodpark Road  
Smithfield, NSW 2164  
+61 (2) 8787 7400

Sydney Fabrication:  
185-187 Woodpark Road  
Smithfield, NSW 2164  
+61 (2) 8787 7468

Sydney South:  
15 Blackmore Road  
Smeaton Grange, NSW 2567  
+61 (2) 4646 2200

Kurri Kurri:  
HEZ Extrusion Plant  
Lot 1, Bromage Road  
HEZ Industrial Estate  
Kurri Kurri, NSW 2327  
+61 (2) 4937 4700

Newcastle:  
6 Steel River Boulevard  
Mayfield West, NSW 2304  
+61 (2) 4949 2600

Bathurst:  
10 Bradwardine Road  
Robin Hill, NSW 2795  
+61 (2) 6339 8900

Coffs Harbour:  
13 Cook Drive  
Coffs Harbour, NSW 2450  
+61 (2) 6690 2400

Albury-Wodonga  
28 Fallon Street  
Albury, NSW 2640  
+61 (2) 6049 9800

### SOUTH EAST QUEENSLAND

Brisbane:  
20 Ron Boyle Crescent  
Carole Park, QLD 4300  
+61 (7) 3718 1400

Banyo:  
40 Buchanan Road  
Banyo, QLD 4014  
+61 (7) 3335 6700

Caloundra:  
37 Enterprise Street  
Caloundra, QLD 4551  
+61 (7) 5390 7600

Gold Coast:  
24 Township Drive  
West Burleigh, QLD 4219  
+61 (7) 5586 1500

### QUEENSLAND

Cairns:  
16 Spoto Street  
Woree, QLD 4868  
+61 (7) 4252 3200

Townsville:  
5 Whitehouse Street  
Garbutt, QLD 4814  
+61 (7) 4720 7100

Mackay:  
105-111 Maggilo drive  
Paget, QLD 4740  
+61 (7) 4952 4157

Rockhampton:  
103 Stanley Street  
Rockhampton, QLD 4700  
+61 (7) 4923 8600

Wide Bay:  
488 Lower Mountain Road  
Dundowran, QLD 4655  
+61 (7) 4196 9000

### NORTHERN TERRITORY

Darwin:  
114 Reichardt Road  
Winnellie, NT 0820  
+61 (8) 7929 8400

### WESTERN AUSTRALIA

Perth:  
17 King Street  
Bayswater, WA 6053  
+61 (8) 9473 4700

Bunbury:  
33 Clifford Street  
Davenport, TAS 6230  
+61 (8) 9725 9900

### TASMANIA

Launceston:  
86 Invermay Road  
Launceston, TAS 7250  
+61 (3) 6327 8600

Hobart:  
123 Albert Rd  
Moonah, TAS 7009  
+61 (3) 6278 0000

### VICTORIA

Melbourne:  
893 Princes Highway  
Springvale, VIC 3171  
+61 (3) 9567 7200

### SOUTH AUSTRALIA

Adelaide:  
57 Diagonal Road  
Pooraka, SA 5095  
+61 (8) 8300 2500

### ACT REGION

Canberra:  
12 Sawmill Circuit  
Hume, ACT 2620  
+61 (2) 6243 9700

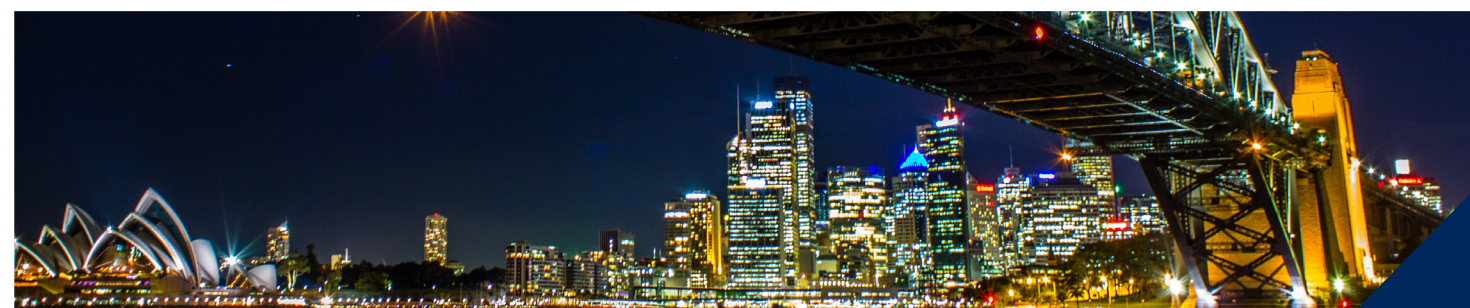
UALVBB-V2



# ULLTRA VIEWS



BALUSTRADE & PRIVACY SCREEN SYSTEMS



TECHNICAL INFORMATION



Ullrich Aluminium distributes the Architectural .75 balustrade system throughout Australia through a network of local fabricators and balustrade companies.

The role of the local fabricator and balustrade companies is to liaise with customer's, to fabricate and install the product in accordance with the Ullrich Aluminium technical specifications and engineering.

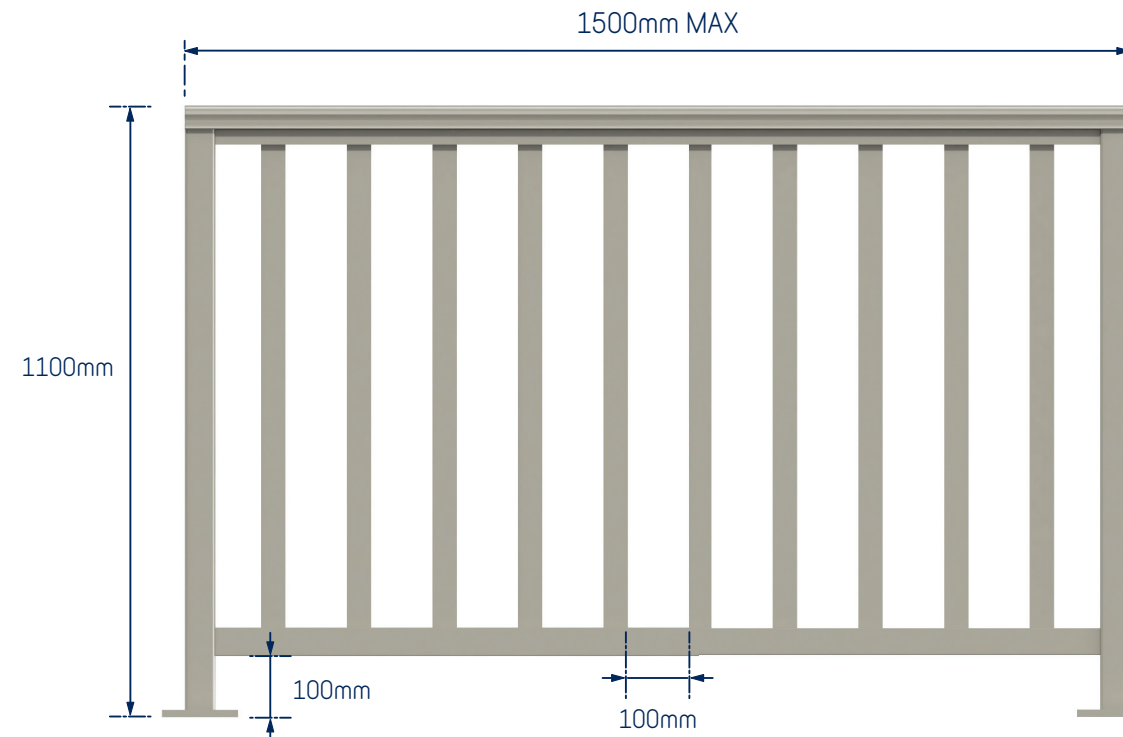
The 'safety of the end-user' is Ullrich Aluminium systems number one priority. Engineering plays an integral part of balustrade design, as the product must be able to with-stand the loads stipulated in the Australian Building Code.

Ullrich Aluminium has a strong background in structural design. Product is not only designed with experienced engineering expertise, it is also physically tested. Ullrich Aluminium has in-house facilities set up especially for testing balustrade products.

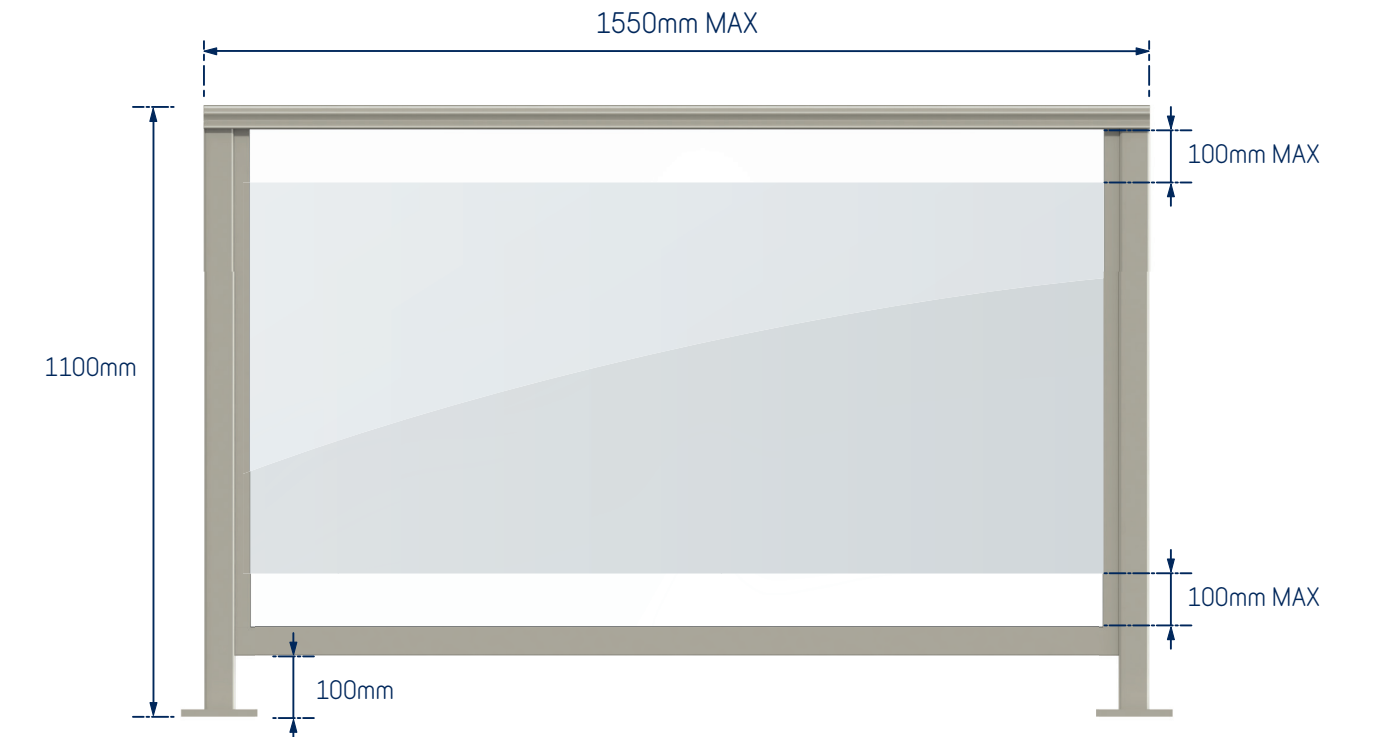
Comply with AS/NZS1170 Requirements

ULLRICH ALUMINIUM BALUSTRADE CONFIGURATIONS

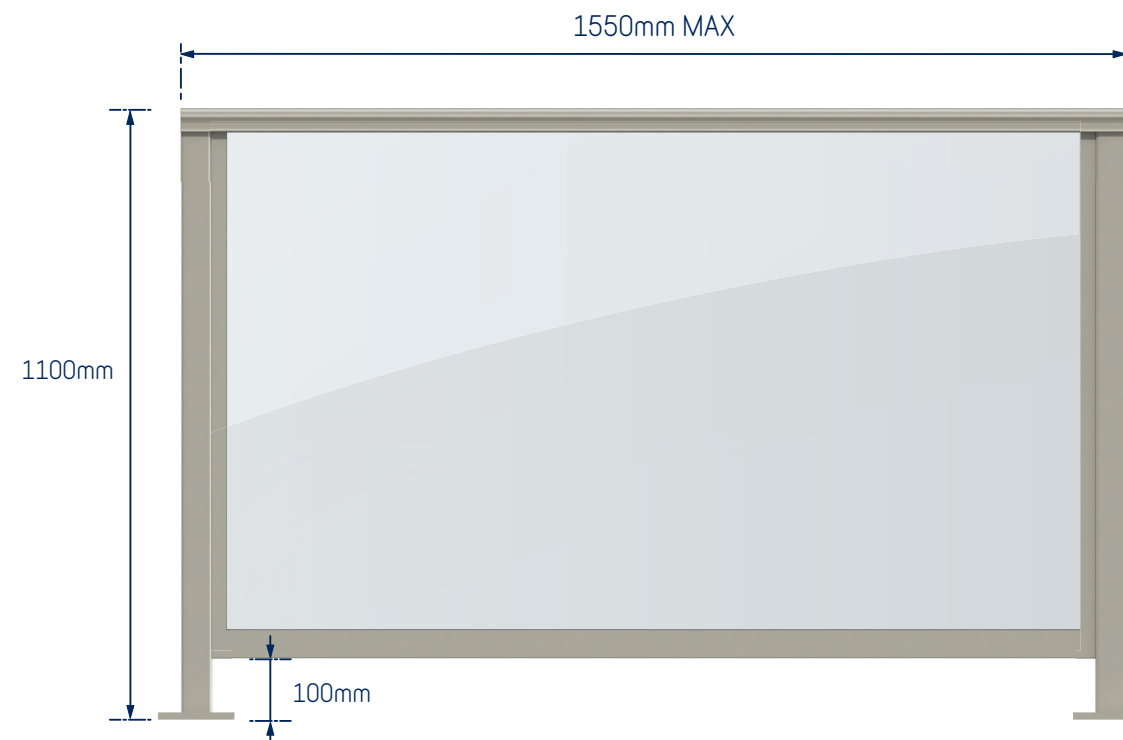
BALUSTRADE SLAT INFILL - 40mm x 20mm



BALUSTRADE HORIZONTAL GLAZING



BALUSTRADE FULL GLAZING



BALUSTRADE VERTICAL GLAZING

