

## THERE'S AN ULLRICH ALUMINIUM BRANCH NEAR YOU

- |   |  |  |  |  |
|---|--|--|--|--|
| <b>NEW SOUTH WALES</b>  | <b>SOUTH EAST QUEENSLAND</b>   | <b>QUEENSLAND</b>  | <b>NORTHERN TERRITORY</b>  | <b>VICTORIA</b>  |
| Sydney General Enquiries:<br>185-187 Woodpark Road<br>Smithfield, NSW 2164<br>+61 (2) 8787 7400                                   | Brisbane:<br>20 Ron Boyle Crescent<br>Carole Park, QLD 4300<br>+61 (7) 3718 1400 | Cairns:<br>16 Spoto Street<br>Woree, QLD 4868<br>+61 (7) 4252 3200               | Darwin:<br>114 Reichardt Road<br>Winnellie, NT 0820<br>+61 (8) 7929 8400     | Melbourne:<br>893 Princes Highway<br>Springvale, VIC 3171<br>+61 (3) 9567 7200 |
| Sydney Fabrication:<br>185-187 Woodpark Road<br>Smithfield, NSW 2164<br>+61 (2) 8787 7468   | Banyo:<br>40 Buchanan Road<br>Banyo, QLD 4014<br>+61 (7) 3335 6700               | Townsville:<br>5 Whitehouse Street<br>Garbutt, QLD 4814<br>+61 (7) 4720 7100     | <b>WESTERN AUSTRALIA</b>   | <b>SOUTH AUSTRALIA</b>   |
| Sydney South:<br>15 Blackmore Road<br>Smeaton Grange, NSW 2567<br>+61 (2) 4646 2200   | Caloundra:<br>37 Enterprise Street<br>Caloundra, QLD 4551<br>+61 (7) 5390 7600   | Mackay:<br>105-111 Maggilo drive<br>Paget, QLD 4740<br>+61 (7) 4952 4157         | Perth:<br>17 King Street<br>Bayswater, WA 6053<br>+61 (8) 9473 4700          | Adelaide:<br>57 Diagonal Road<br>Pooraka, SA 5095<br>+61 (8) 8300 2500         |
| Kurri Kurri:<br>HEZ Extrusion Plant<br>Lot 1, Bromage Road<br>HEZ Industrial Estate<br>Kurri Kurri, NSW 2327<br>+61 (2) 4937 4700 | Gold Coast:<br>24 Township Drive<br>West Burleigh, QLD 4219<br>+61 (7) 5586 1500 | Rockhampton:<br>103 Stanley Street<br>Rockhampton, QLD 4700<br>+61 (7) 4923 8600 | Bunbury:<br>33 Clifford Street<br>Davenport, TAS 6230<br>+61 (8) 9725 9900   | <b>ACT REGION</b>  |
| Newcastle:<br>6 Steel River Boulevard<br>Mayfield West, NSW 2304<br>+61 (2) 4949 2600   | Wide Bay:<br>48B Lower Mountain Road<br>Dundowran, QLD 4655<br>+61 (7) 4196 9000 | <b>TASMANIA</b>  | Launceston:<br>86 Invermay Road<br>Launceston, TAS 7250<br>+61 (3) 6327 8600 | Canberra:<br>12 Sawmill Circuit<br>Hume, ACT 2620<br>+61 (2) 6243 9700         |
| Bathurst:<br>10 Bradwardine Road<br>Robin Hill, NSW 2795<br>+61 (2) 6339 8900   | Coffs Harbour:<br>13 Cook Drive<br>Coffs Harbour, NSW 2450<br>+61 (2) 6690 2400  | Hobart:<br>123 Albert Rd<br>Moonah, TAS 7009<br>+61 (3) 6278 0000                |  |  |
| Albury-Wodonga:<br>28 Fallon Street<br>Albury, NSW 2640<br>+61 (2) 6049 9800  |  |  |  |  |



# MDF BOARD JOINERS

➤ RETAIL MERCHANDISING SYSTEMS



## GALLERY OF RETAIL MERCHANDISING AND BUILDING PANEL SYSTEMS



Panel Systems | Display Systems | POS Displays | Poster Frames  
Print Displays | Furniture | Grooved Building Panels | Exhibitions



Australian Sales Centres 1300 650 075 | [www.ullrich.com.au](http://www.ullrich.com.au)

 **ULLRICH ALUMINIUM**

## TECHNICAL INFORMATION



Emphasis is placed on providing a superb range of high quality stylish MDF Board Joiners that conform with the latest trends.

Our carefully selected product range encompasses inspiration for your vision and innovative cabinetmaking solutions.

Cabinet makers, joiners, and shopfitters can create beautiful, livable environments using our range of MDF Board Joiner products.

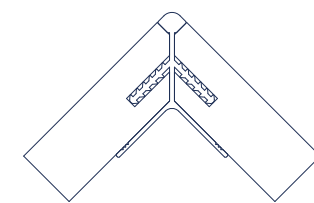
The architecturally inspired edge and joint system manufactured from Aluminium with a high quality anodised finish.

### SECTIONS

Section Number	Section Description	Finish	Length	Weight
UMDF16BRD	Joiner for 16mm board	Clear Anodised	5m	0.397kg/m
UMDF18BRD	Joiner for 18mm board	Clear Anodised	5m	0.448kg/m
UMDF90DMT	90° mitre joiner	Clear Anodised	5m	0.274kg/m
UMDF90DSN	90° square nose joiner	Clear Anodised	5m	0.310kg/m
UMDF135DMT	135° mitre joiner	Clear Anodised	5m	0.291kg/m
UMDF135DBN	135° bull nose joiner	Clear Anodised	5m	0.280kg/m
UMDF180DSN	180° square nose joiner	Clear Anodised	5m	0.214kg/m
UMDF180DBN	180° bull nose joiner	Clear Anodised	5m	0.202kg/m

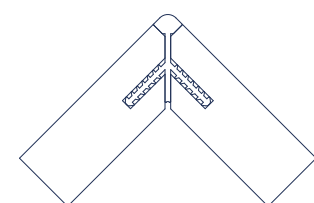
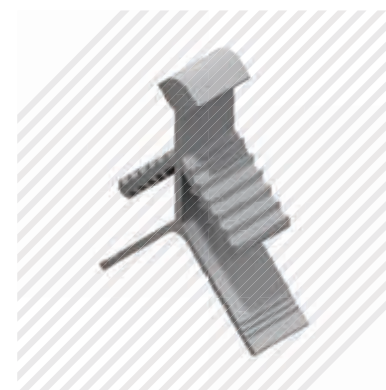
NOTE: Consult with our sales team for availability of sections in 6.5m lengths, and in Mill Finish.

## MDF BOARD JOINER PROFILES



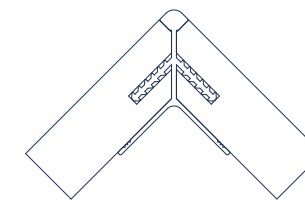
AP 217mm

**UMDF16BRD**  
JOINER FOR 16<sub>MM</sub> BOARD



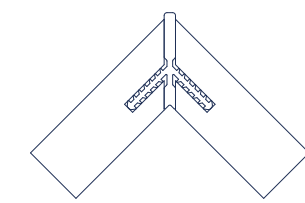
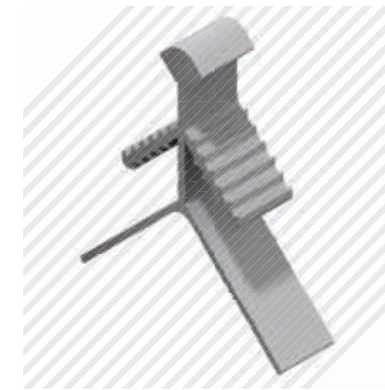
AP 137mm

**UMDF90DMT**  
90° MITRE JOINER



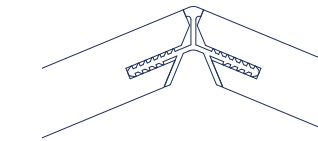
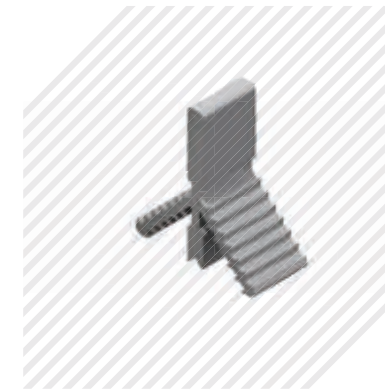
AP 243mm

**UMDF18BRD**  
JOINER FOR 18<sub>MM</sub> BOARD



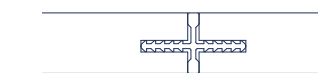
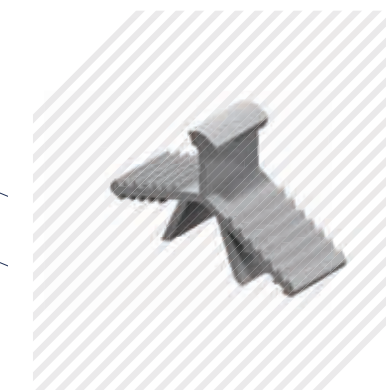
AP 144mm

**UMDF90DSN**  
90° SQUARE NOSE JOINER



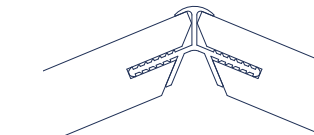
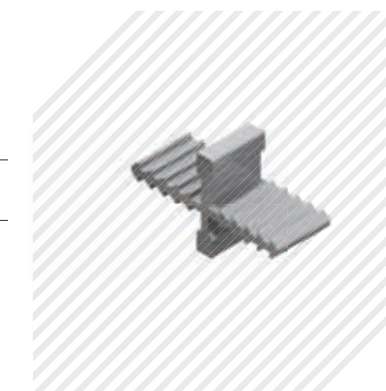
AP 163mm

**UMDF135DMT**  
135° MITRE JOINER



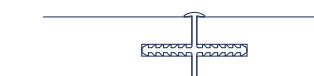
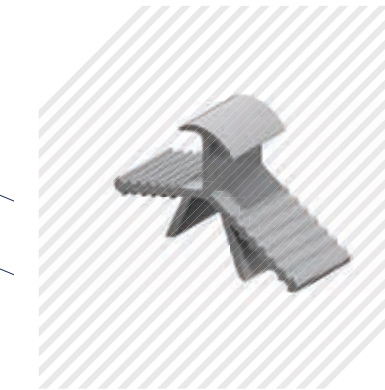
AP 112mm

**UMDF180DSN**  
180° SQUARE NOSE JOINER



AP 168mm

**UMDF135DBN**  
135° BULL NOSE JOINER



AP 122mm

**UMDF180DBN**  
180° BULL NOSE JOINER

