

***SERIES - 900, 1350, 1500***





**DESIGN:**

Ullrich Aluminium mobile scaffolds have been designed and manufactured to comply with Australian/New Zealand standard AS/NZS 1576.1:1995.

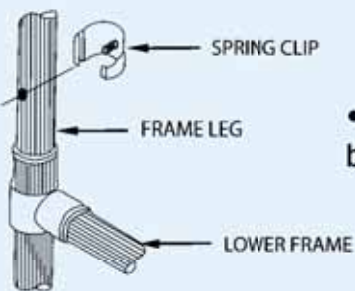
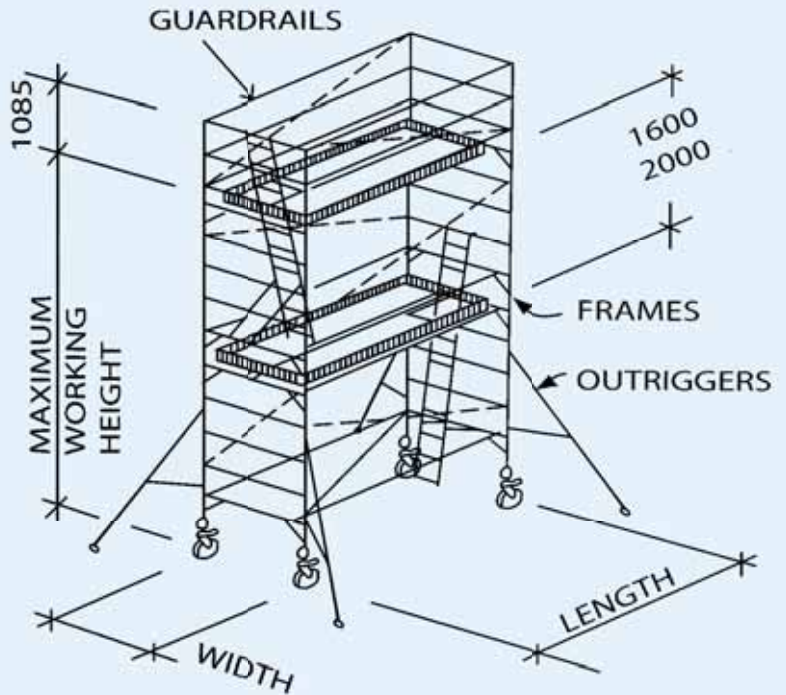
The lightweight aluminium components can easily be erected and dismantled without the aid of special tools.

**RANGE:**

A range of frame widths is available from 900mm, 1350mm and 1500mm. With corresponding lengths of 18000mm, 2400mm, 3000mm and a maximum working height of 10.27m.

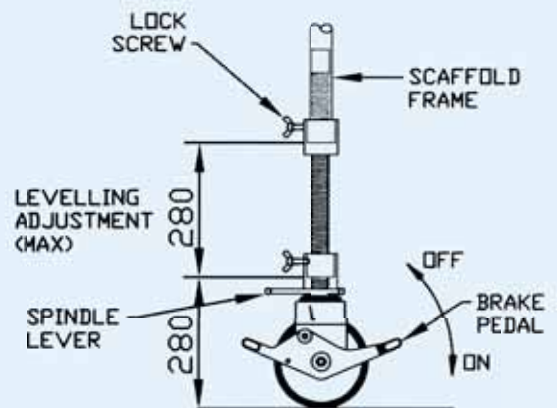
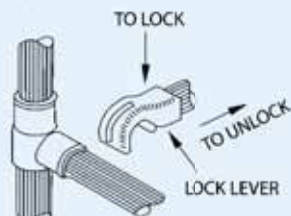
**FEATURES:**

- Lightweight and simple to erect.
- For flexibility two outriggers are available,
- Swivel castor wheels make it easy to manoeuvre.
- Foot operated lever makes it simple to lock wheels.
- Threaded wheel spindle making height adjustment simple.
- Wheel is contained in frame by lock screw.



- Frames are locked by spring clip.

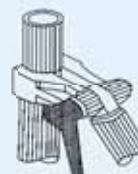
- All braces have 'snap' lock clamps.



- Range of platform sizes suit most applications.
- Kickboard is provided on all platforms.



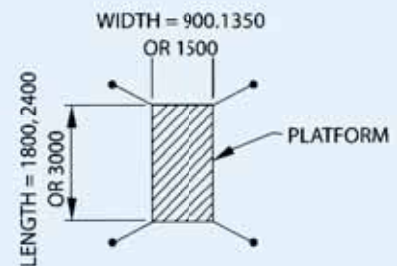
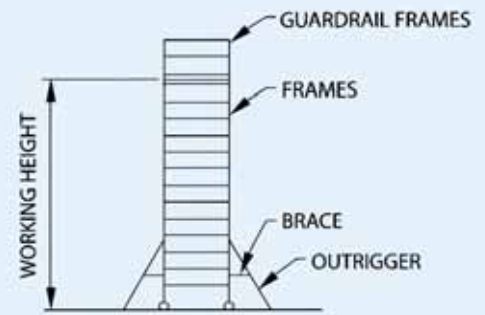
- The fixed base plate up to 400mm height adjustment can be obtained.



- Simple to operate lever clamps attach the outriggers and braces to the frame.



OUTRIGGER AND FRAME SELECTION CHART FOR REQUIRED PLATFORM HEIGHTS AND SIZES					
MAX. WORKING HEIGHT WITH:		PLATFORM SIZE (WIDTH X LENGTH)	OUTRIGGER LENGTH	No and HEIGHT OF FRAMES	
WHEELS	BASE PLATE				
4.27M	4.00M	900x1800 1350x1800 1500x1800 900x2400 1350x2400 1500x2400 900x3000 1350x3000 1500x3000	2400	2 x 2000	
5.07M	4.80M	900x1800 1350x1800 1500x1800 900x2400 1350x2400 1500x2400 900x3000 1350x3000 1500x3000	2400	3 x 1600	
6.27M	6.00M	900x1800 1350x1800 1500x1800 900x2400 1350x2400 1500x2400 900x3000 1350x3000 1500x3000	3000	3 x 2000	
6.67M	6.40M	900x1800 1350x1800 1500x1800 900x2400 1350x2400 1500x2400 900x3000 1350x3000 1500x3000	3000	4 x 1600	
8.27M	8.00M	1350x1800 1500x1800 1350x2400 1500x2400 1350x3000 1500x3000	3000	5 x 1600	
8.27M	8.00M	1350x1800 1500x1800 1350x2400 1500x2400 1350x3000 1500x3000	3000	4 x 2000	
9.87M	9.60M	1350x1800 1500x1800 1350x2400 1500x2400 1350x3000 1500x3000	3000	6 x 1600	
10.27M	10.00M	1350x1800 1500x1800 1350x2400 1500x2400 1350x3000 1500x3000	3000	5 x 2000	



OUTRIGGER LOCATION (SEE ERECTION GUIDE)

- **SAFE WORKING LOAD** 225Kg TOTAL
- **FRAME HEIGHTS** 1600mm & 2000mm
- **WHEEL HEIGHT** 275mm
- **WHEEL LEVELLING ADJUSTMENT** 280mm
- **GUARDRAIL HEIGHT** 1085mm

LADDER LENGTHS REQUIRED			
FRAME HEIGHT	BASE PLATFORM	INTERMEDIATE PLATFORM	TOP PLATFORM
1600	3000	2700	2500
2000	3400	3100	2900

**NOTE:**

- Greater heights can be achieved if towers are fixed to a solid structure in an approved manner
- Outriggers **MUST BE USED** when tower height exceeds three times the width of the base.  
( See erection guide)



**1.** Lay main frames on floor and insert wheel assembly. (Make sure lock screw clears the frame casting).



**6.** Attach 2 diagonal braces (blue) to 2nd & 4th rung of frame with claw facing down. Level the unit by turning the lever on the wheel spindle. See step 16



**2.** After inserting - finger tighten lock screw. Lock wheel brake.

**3.** Stand frame up and attach 'plan' brace (red hooks) to vertical tube at 'a' above bottom rung. Lower brace to ground. Lower brace to ground.



Frame is now self supporting.

**7.** Attach the fixed platform to the 3rd rung before attempting to insert the extensions. Insert frames (2) as shown.



**8.** Raise the fixed platform (from rung 3 to 5 and add hinged platform to rung 5).  
• Attach (2) horizontal braces (orange).  
• Attach (2) diagonal braces (blue) as shown.



**4.** Raise 2nd frame and attach 'plan' brace (red hooks) at 'b'.

**5.** Attach 2 horizontal braces (orange) to bottom rung of frame with claw facing down.



**9.** Hook bottom ladder to the 8th rung and attach ladder braces to 2nd rung.





**10.** For multiple intermediate sections, repeat steps 7 & 8. Add intermediate ladder per level.

**11.** Fix (2) guard rails frames at ends.



**12.** Add (4) horizontal braces (orange) to last two rungs.



**13.** Raise fixed platform then the hinged one as shown.

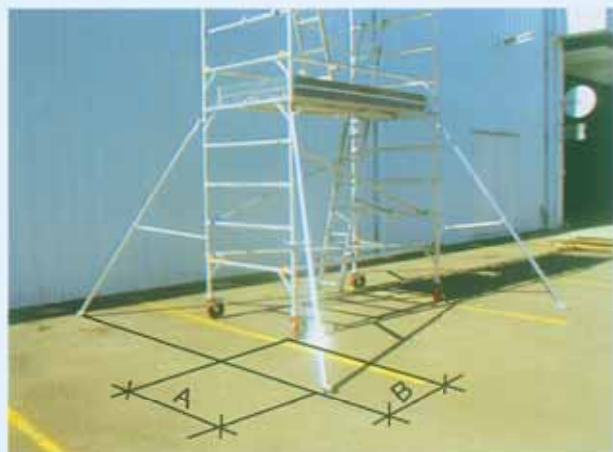
**14.** Add diagonal (2) braces (blue) as shown. Hook top ladder to top rung & fix ladder braces to 2nd rail above the lower platform.



**15.** Outriggers must be fitted to all mobile scaffolds when working platform height is 3 times the minimum width of base unit.

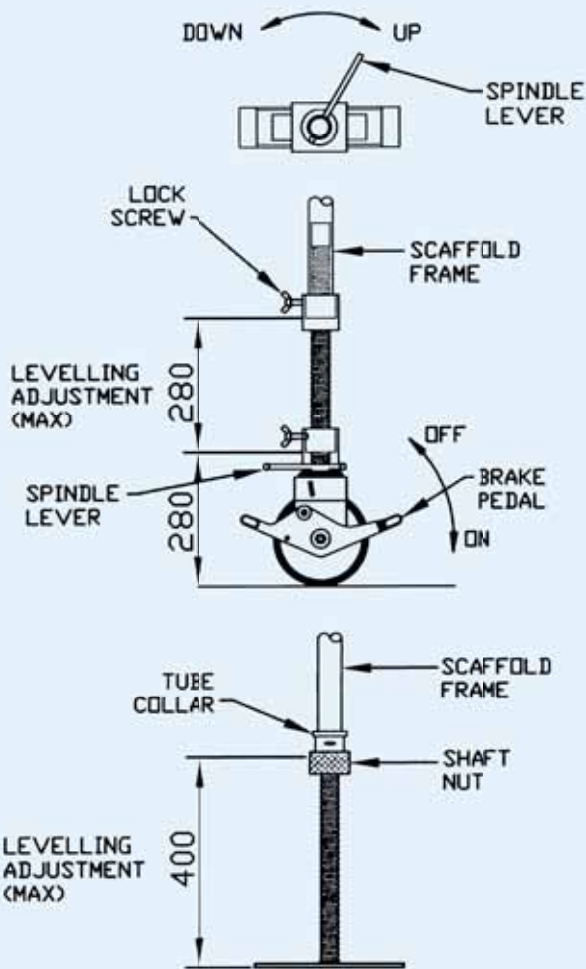
SCAFFOLD HEIGHTS	LENGTHS REQUIRED		OUTRIGGER FOOT POSITION	
	OUTRIGGER	BRACE	A	B
UP TO 6.0m	2400	700	1200	600
ABOVE 6.0m	3000	1050	1400	900

- Locate position of outrigger foot from chart above.
- Attach outrigger to vertical frame member.
- Finally attach brace to vertical frame member.
- Tighten all wingnuts.

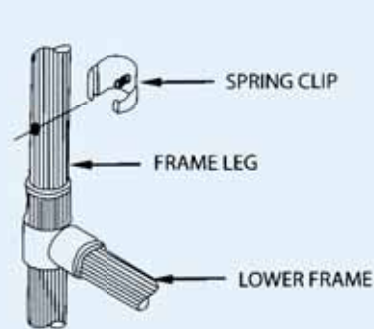
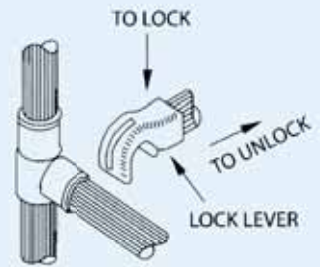




**16.** Frame height can be adjusted by rotating the spindle lever - by hand.

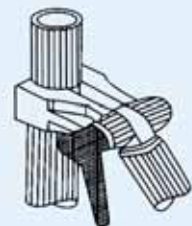


**17.** Snaplock clamps can be locked by placing brace over frame tube and applying a downward force. To unlock - pull lever towards centre of brace.



**18.** All frames are to be locked using our spring clip. **NOTE:** Holes must be aligned before inserting pin. Do not force or hit clip with a hammer.

**19.** Adjustable clamps used on outriggers and outrigger brace. Hand tighten.



### **NOTES FOR YOUR SAFETY**

- **Do not** use substitutes - for your safety use only Ullrich Aluminium scaffold components.
- **Do not** erect a scaffold over 4m high unless you are certified.
- **Do not** load scaffold in excess of 225kg.
- **Do not** move scaffold with persons on platform
- **Do not** erect scaffold within 4.9m of power lines.
- **Do not** climb on guard rail frames.
- **Do** follow erection guide.
- **Do** lock wheels before erection
- **Do** level base before erection.
- **Do** install outriggers as per step 15.
- **Do** install ladders to inside of tower.
- **Do** install guard rails on every work platform.
- **Do** wear hard hats and relevant protection equipment.



Phone for your nearest  
**ULLRICH ALUMINIUM SALES CENTRE**

**AUSTRALIA - 1300 650 075**

**NEW ZEALAND - 0800 500 338**

- ALUMINIUM EXTRUSIONS
- ROLLED PRODUCTS
- FASTENINGS
- LADDERS
- SCAFFOLDS
- ULLTRACLAD CLADDING
- WINTEC WINDOWS & DOORS
- BUILDING PRODUCTS
- DECORATIVE METALS
- TEKNA MACHINERY

**Map key:**

- + MANUFACTURING
- SALES & DISTRIBUTION
- \* EXTRUSION PLANT

Representative and franchised operations throughout the South Pacific

ULLRICH ALUMINIUM PTY LTD  
PO Box 2182 Smithfield NSW 2164  
185-187 Woodpark Rd Smithfield Australia  
Tel +61 2 8787 7400 Fax +61 2 9725 2784  
ullrich@ullrich.com.au www.ullrich.com.au

ULLRICH ALUMINIUM CO LTD  
PO Box 98 843 SAMC  
Manukau City 2240 New Zealand  
Tel +64 9 262 6262 Fax +64 9 262 6265  
alkalum@uacl.co.nz www.ullrich-aluminium.co.nz