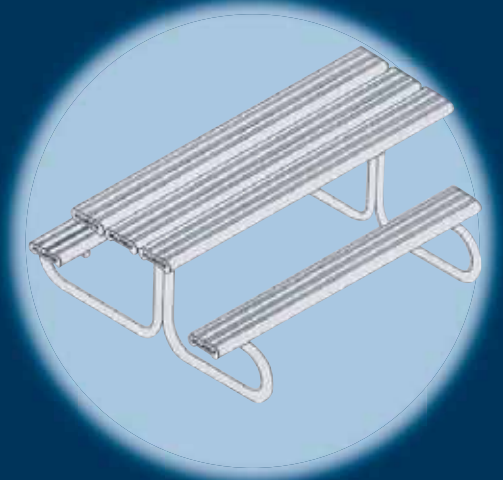




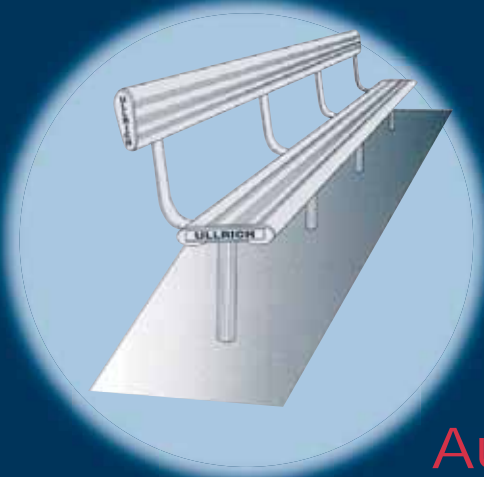
BENCH SEATING
(WITH OR WITHOUT BACKREST)



PARK / PICNIC
6 SEATER



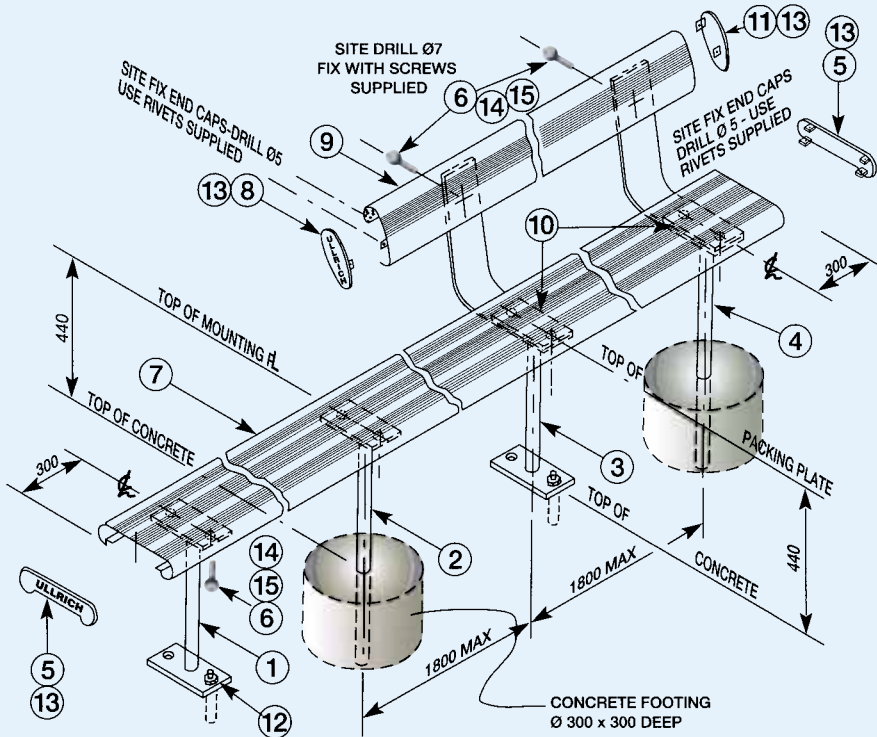
PORTABLE / STACKABLE



August 08



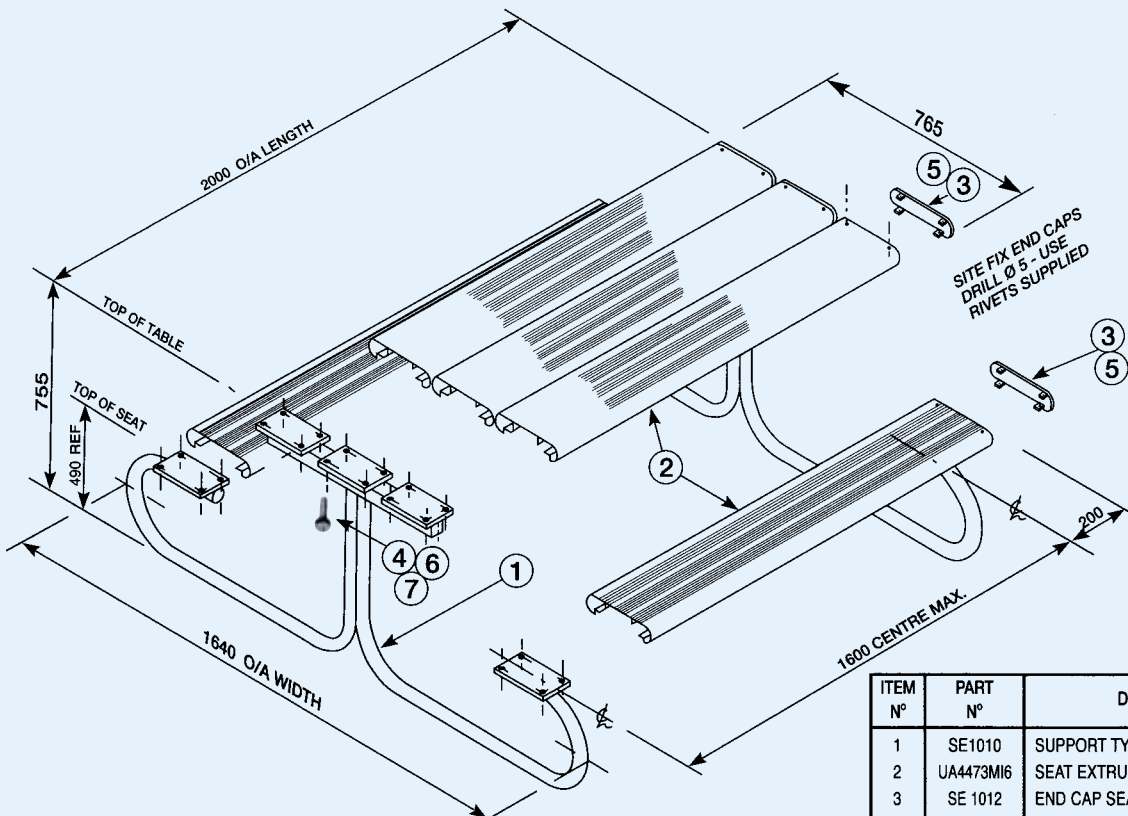
BENCH SEAT



ITEM N°	PART N°	DESCRIPTION	N° Req'd
1	SE 1001	SUPPORT TYPE 'A' (FLANGED)	AS REQ
2	SE 1002	SUPPORT TYPE 'B' (CONCRETE)	" "
3	SE 1003	SUPPORT TYPE 'C' (WITH BACK)	" "
4	SE 1004	SUPPORT TYPE 'D' (WITH BACK)	" "
5	SE 1012	END CAP - SEAT	2
6	101M06025S03	BOLT HEX M6 x 25 S.S.	AS REQ
7	UA4473MI2	SEAT EXTRUSION 2m	1
	UA4473MI3	SEAT EXTRUSION 3m	1
	UA4473MI4	SEAT EXTRUSION 4m	1
	UA4473MI5	SEAT EXTRUSION 5m	1
	UA4473MI6	SEAT EXTRUSION 6m	1
8	SE 1013/1	END CAP - BACKREST L-H	" "
9	UA4474MI2	BACKREST EXTRUSION 2m	1
	UA4474MI3	BACKREST EXTRUSION 3m	1
	UA4474MI4	BACKREST EXTRUSION 4m	1
	UA4474MI5	BACKREST EXTRUSION 5m	1
	UA4474MI6	BACKREST EXTRUSION 6m	1
10	SE 1005	PACKER 6mm	" "
11	SE 1013	END CAP - BACKREST R-H	1
12	103M10050S04	DYNABOLTS M10 x 50 S.S.	AS REQ
13	501M4-817S03	RIVET 4.8Ø x 10GL S.S.	" "
14	201M06S04	NUT HEX M6	" "
15	301M06017S04	WASHER FLAT Ø6 S.S.	" "

**STANDARD LENGTHS
AVAILABLE 2, 3, 4, 5 AND 6m.
WITH OR WITHOUT
BACKREST AND SUPPORTS
TO SUIT.**

PARK / PICNIC - 6 SEATER

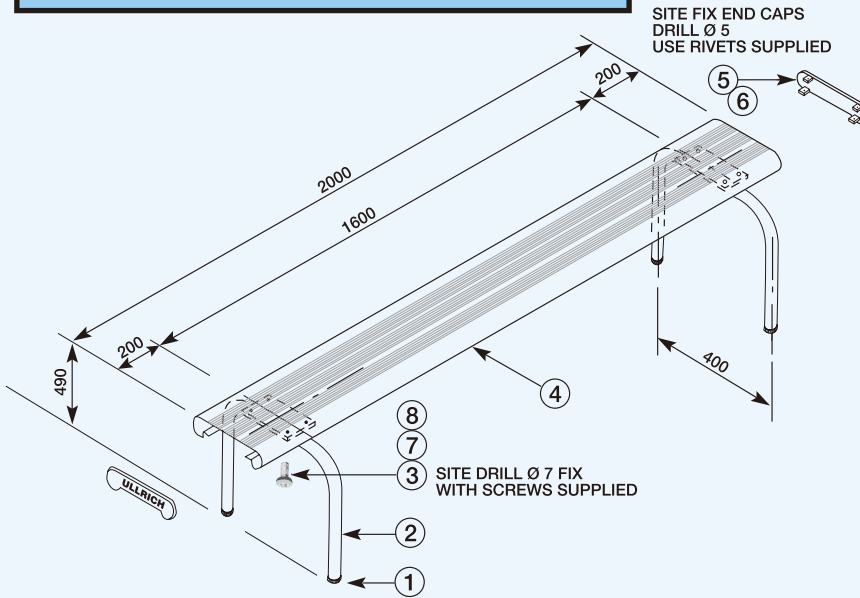


ITEM N°	PART N°	DESCRIPTION	N° Req'd
1	SE1010	SUPPORT TYPE 'F'	2
2	UA4473MI6	SEAT EXTRUSION 2m	5
3	SE 1012	END CAP SEAT	10
4	101M06025S03	BOLT HEX M6 x 25 S.S.	40
5	501M4-817S03	RIVET 4.8Ø x 10mm GL S.S.	40
6	201M06S04	NUT HEX M6 S.S.	40
7	301M06017S04	WASHER FLAT Ø6 S.S.	40



INSTALLATION / ASSEMBLY DETAILS

PORTABLE / STACKABLE SEAT



ITEM N°	PART N°	DESCRIPTION	N° Req'd
1	SE1011	CAP P.V.C.	4
2	SE1009	SUPPORT TYPE 'E'	2
3	101M060225S03	BOLT HEX M6 x 25 S.S.	8
4	UA4473M12	SEAT EXTRUSION 2m	1
5	SE 1012	END CAP - SEAT	2
6	501M4-817S03	RIVET 4.8Ø x 10mm GL S.S.	8
7	201M06S04	NUT HEX M6 S.S.	8
8	301M06017S04	WASHER Ø6 S.S.	8

**4 SEATER (6) CHILDREN
IDEAL FOR SCHOOL
ASSEMBLY HALLS.
WEIGHS ONLY 10 kg**

WHY YOU SHOULD CHOOSE ALUMINIUM FOR YOUR SEATING

- Lightweight** Easy to install, move or store
- Strength** Aluminium has a very high strength to weight ratio with outstanding durability
- Low Maintenance** Aluminium requires minimal maintenance
No painting, cracking, warping or splintering like other materials
- Versatile** Support heights can readily be modified to suit children. Seat lengths range from 2m to 6m.
- Long Life** Aluminium has an extremely long life. Excellent in a salt water environment.
- User Friendly** Seating has smooth rounded edges with protective end caps eliminating any potential hazards. It is ideal for school playgrounds, sports ovals, stadiums or parks.
- Finishes** Available in mill finish, clear anodised or powdercoated

MATERIAL SPECIFICATION

- Plate, and Extrusions - Structural Alloy
- End Caps - Cast Alum.
- Caps PVC
- Fasteners S.S Grade 304



Phone for your nearest
ULLRICH ALUMINIUM SALES CENTRE

AUSTRALIA - 1300 650 075

NEW ZEALAND - 0800 500 338

- ALUMINIUM EXTRUSIONS
- ROLLED PRODUCTS
- FASTENINGS
- LADDERS
- SCAFFOLDS
- ULLTRACLAD CLADDING
- WINTEC WINDOWS & DOORS
- BUILDING PRODUCTS
- DECORATIVE METALS
- TEKNA MACHINERY

Map key:

- + MANUFACTURING
- SALES & DISTRIBUTION
- * EXTRUSION PLANT

Representative and franchised operations throughout the South Pacific

ULLRICH ALUMINIUM PTY LTD
PO Box 2182 Smithfield NSW 2164
185-187 Woodpark Rd Smithfield Australia
Tel +61 2 8787 7400 Fax +61 2 9725 2784
ullrich@ullrich.com.au www.ullrich.com.au

ULLRICH ALUMINIUM CO LTD
PO Box 98 843 SAMC
Manukau City 2240 New Zealand
Tel +64 9 262 6262 Fax +64 9 262 6265
alkalum@uacl.co.nz www.ullrich-aluminium.co.nz